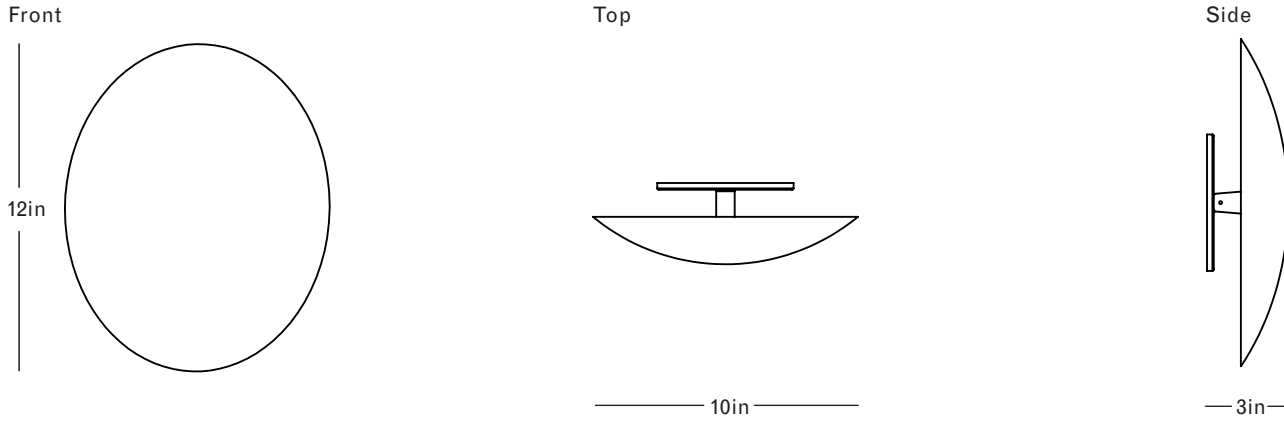




Brushed Hammered Bronze Dome
Brushed Brass Hardware



Finish Palette

Specifications



Brushed Bronze Dome & Brushed Brass Hardware



Brushed Bronze Dome & Satin Nickel Hardware



Brushed Bronze Dome & Vintage Brass Hardware



Brushed Bronze Dome & Oil Rubbed Bronze Hardware

DIMENSIONS

Height: 12in / 30cm
 Width: 10in / 25cm
 Depth: 3in / 8cm
 Weight: 5lb / 3kg

MOUNTING

Ø5in x D.25in Backplate

MATERIALS

Hammered bronze, machined brass

BULBS

G9 / 110v / 1.8w / 2700k / dimmable LED
 G9 / 220v / 1.8w / 2700k / dimmable LED
 Maximum Fixture Wattage: 50w

Inspiration

The Branching Disc collection continues to explore the union of the industrial and the organic. Precise machined components contrast with hammered bronze shades, hand-forged in East Hampton, New York by master metalsmith James DeMartis. James uses centuries-old techniques that create a beautiful, unique impression on each piece.