

In Common With

Chromatic Glass Up Down Sconce
Technical Specifications



Chromatic Glass Up Down Sconce



Technical Specifications

Materials	Glass, brass or steel
Product weight	2 lbs
Lead time	6 weeks
Bulbs included (2)	E12 / 120V / 4.0 W / 220 lm 2200 K - 3000 K / warm on dim
Dimmer	TRIAC
Max wattage	20 W
Certifications	UL listed, damp-rated

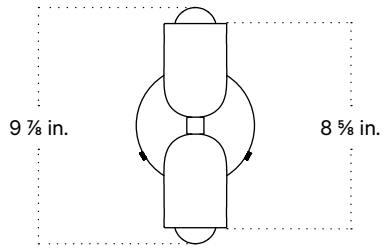


Notes

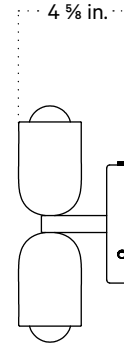
1. This fixture may be installed horizontally if desired (hardwire version without a dimmer switch only).

Updated August 21, 2023

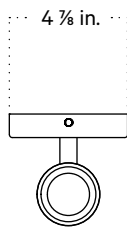
Front View



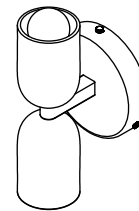
Side View



Top View



Isometric View



Chromatic Glass Up Down Sconce, Left Switch



Technical Specifications

Materials	Glass, brass or steel
Product weight	2 lbs
Lead time	6 weeks
Bulbs included (2)	E12 / 120V / 4.0 W / 220 lm 2200 K - 3000 K / warm on dim
Dimmer	Integrated dimmer switch
Max wattage	20 W
Certifications	UL listed, damp-rated

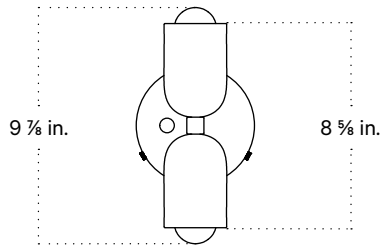


Notes

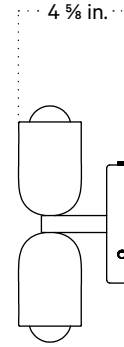
1. This fixture can be specified with a rotary dimmer switch installed on its base. The dimmer switch can be located on either the left or right side of the shades.

Updated August 21, 2023

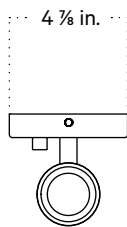
Front View



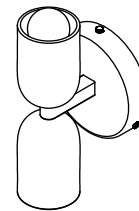
Side View



Top View



Isometric View



Chromatic Glass Up Down Sconce, Right Switch



Technical Specifications

Materials	Glass, brass or steel
Product weight	2 lbs
Lead time	6 weeks
Bulbs included (2)	E12 / 120V / 4.0 W / 220 lm 2200 K - 3000 K / warm on dim
Dimmer	Integrated dimmer switch
Max wattage	20 W
Certifications	UL listed, damp-rated

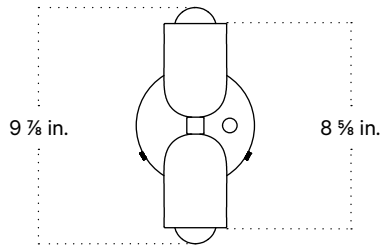


Notes

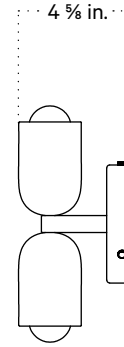
1. This fixture can be specified with a rotary dimmer switch installed on its base. The dimmer switch can be located on either the left or right side of the shades.

Updated August 21, 2023

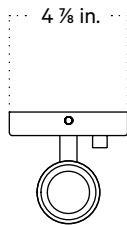
Front View



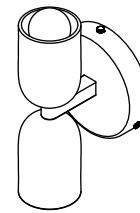
Side View



Top View



Isometric View





Chromatic Glass Up Down Sconce, Plug-in

Technical Specifications

Materials	Glass, brass or steel
Product weight	2.5 lbs
Lead time	6 weeks
Bulbs included (2)	E12 / 120V / 4.0 W / 220 lm 2200 K - 3000 K / warm on dim
Dimmer	Optional in-line dimmer switch
Cord length	16 ft
Max wattage	20 W
Certifications	UL listed, damp-rated

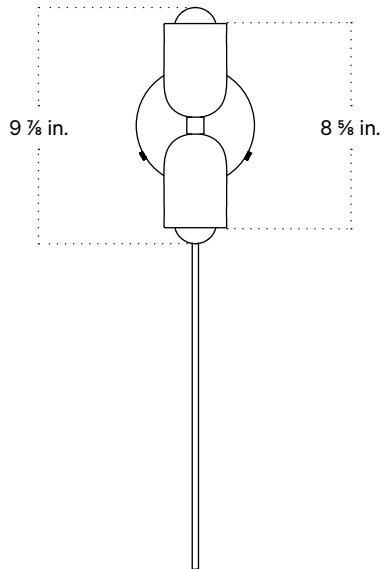


Notes

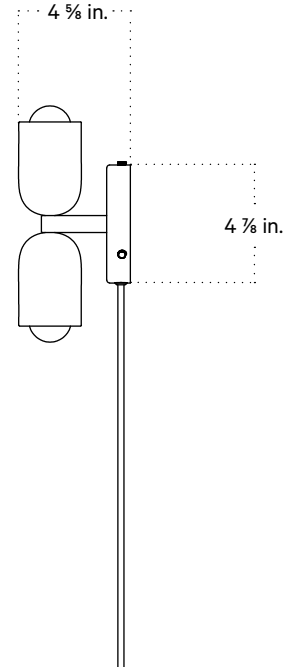
1. This fixture can be ordered with an on/off switch or an inline dimmer; see additional details below.
2. The plug-in version of this fixture with an inline on/off switch will be supplied with a Porcelain I E12 / 110v / 3.0 W / 180 lm / 2700 K bulb.
3. Fixtures ordered in painted metal with an on/off switch come with a 16-foot black fabric cord. The on/off switch is located 8 feet from the plug.
4. Fixtures ordered in painted metal with an inline dimmer have a 16-foot black nylon cord. The dimmer switch is our black painted metal finish and is located 8 feet from the plug.
5. Fixtures ordered in brass finishes with an on/off switch come with a 16-foot chocolate brown fabric cord. The on/off switch is located 8 feet from the plug.
6. Fixtures ordered in brass finishes with an inline dimmer have a 16-foot chocolate brown fabric cord. The dimmer switch is our black painted metal finish and is located 8 feet from the plug.
7. Custom cord color can be specified for an additional cost; please inquire.

Updated August 21, 2023

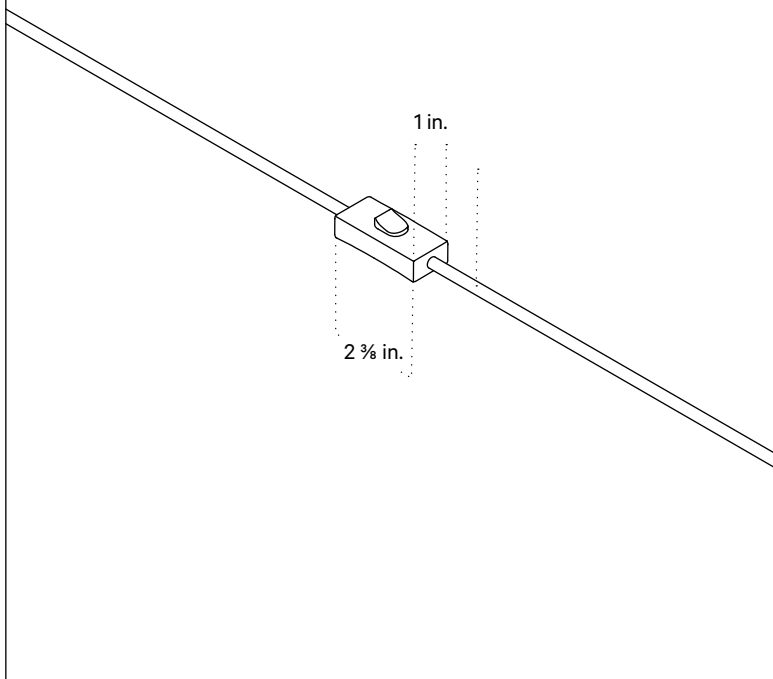
Front View



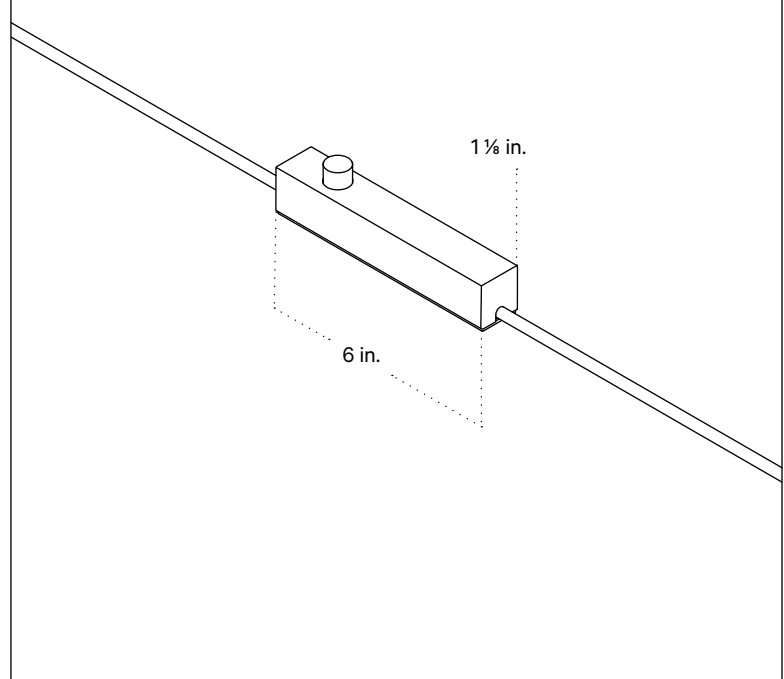
Side View



On/Off Switch Detail



Inline Dimmer Switch Detail



Chromatic Glass Up Down Sconce, Plug-in Left Switch



Technical Specifications

Materials	Glass, brass or steel
Product weight	2.5 lbs
Lead time	6 weeks
Bulbs included (2)	E12 / 120V / 4.0 W / 220 lm 2200 K - 3000 K / warm on dim
Dimmer	Integrated dimmer switch
Cord length	10 ft
Max wattage	20 W
Certifications	UL listed, damp-rated

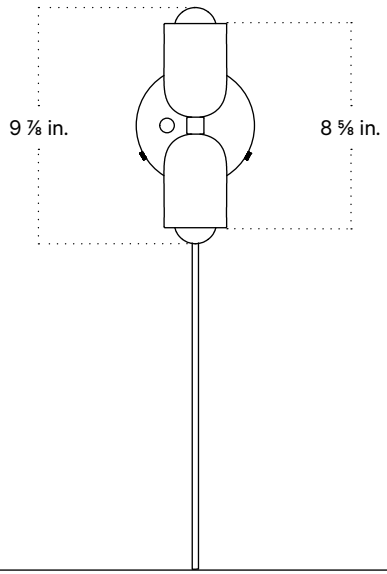


Notes

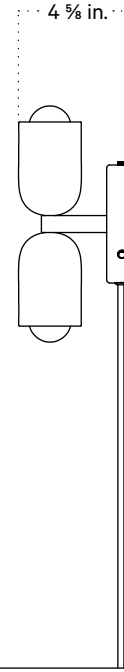
1. This fixture can be ordered with an on/off switch or an inline dimmer; see additional details below.
2. The plug-in version of this fixture with an inline on/off switch will be supplied with a Porcelain I E12 / 110v / 3.0 W / 180 lm / 2700 K bulb.
3. Fixtures ordered in painted metal will come with a 10-foot black nylon cord.
4. Fixtures ordered in brass finishes will come with a 10-foot chocolate brown fabric cord.
5. Custom cord color can be specified for an additional cost; please inquire.
6. This fixture can be specified with a rotary dimmer switch installed on its base. The dimmer switch can be located on either the left or right side of the shades.

Updated August 21, 2023

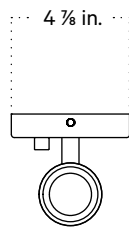
Front View



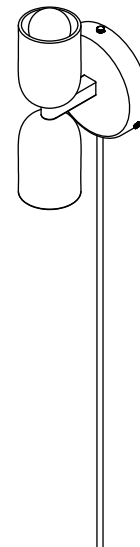
Side View



Top View



Isometric View



Chromatic Glass Up Down Sconce, Plug-in Right Switch



Technical Specifications

Materials	Glass, brass or steel
Product weight	2.5 lbs
Lead time	6 weeks
Bulbs included (2)	E12 / 120V / 4.0 W / 220 lm 2200 K - 3000 K / warm on dim
Dimmer	Integrated dimmer switch
Cord length	10 ft
Max wattage	20 W
Certifications	UL listed, damp-rated

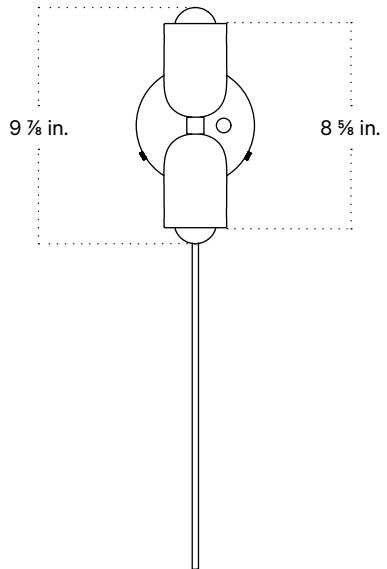


Notes

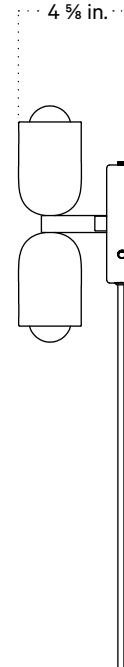
1. This fixture can be ordered with an on/off switch or an inline dimmer; see additional details below.
2. The plug-in version of this fixture with an inline on/off switch will be supplied with a Porcelain I E12 / 110v / 3.0 W / 180 lm / 2700 K bulb.
3. Fixtures ordered in painted metal will come with a 10-foot black nylon cord.
4. Fixtures ordered in brass finishes will come with a 10-foot chocolate brown fabric cord.
5. Custom cord color can be specified for an additional cost; please inquire.
6. This fixture can be specified with a rotary dimmer switch installed on its base. The dimmer switch can be located on either the left or right side of the shades.

Updated August 21, 2023

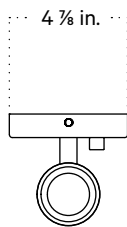
Front View



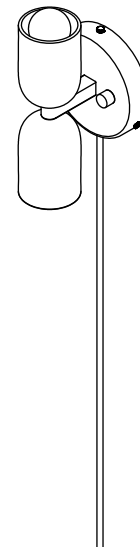
Side View



Top View



Isometric View



Finish Options

Brass, glass, and ceramic samples made or finished by hand may exhibit variability. Available for purchase at incommonwith.com/finishes.

Glass



Opaline



Sandblasted White



Pistachio



Sandblasted Amber



Tobacco

Painted Metal



Black



Bone



Oxide Red



Reed Green



Peach

Brass



Brass



Patina Brass



Blackened Brass



Pewter