



WORKSTEAD

tube



WORKSTEAD



TUBE SCONCE
hewn brass

WORKSTEAD

TUBE

sconce hardwired

Description

The TUBE SCONCE is a versatile slim sconce, our take on a classic vanity fixture. Mounted either vertically or horizontally, the fixture expresses a bold beam of light appropriate for bathroom and hallway installations. UL Listed. ADA Compliant. Damp Rated.

Finish Options

Hewn Brass
Hand Finished Bronze
Brushed Nickel

Dimensions

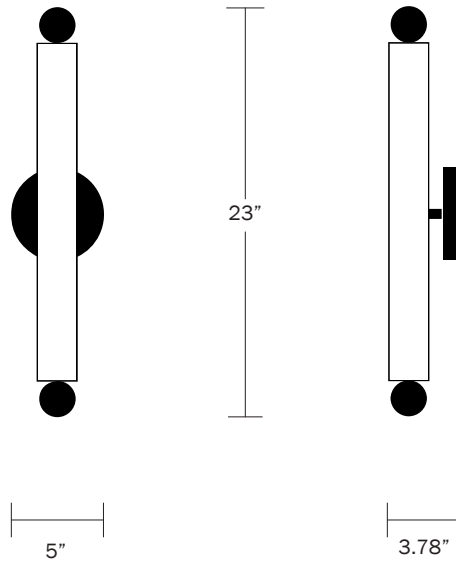
Overall Height - 23"
Glass Height - 18"
Glass Diameter - 2"
Backplate Diameter - 5"

Weight

6 lbs

Lamp

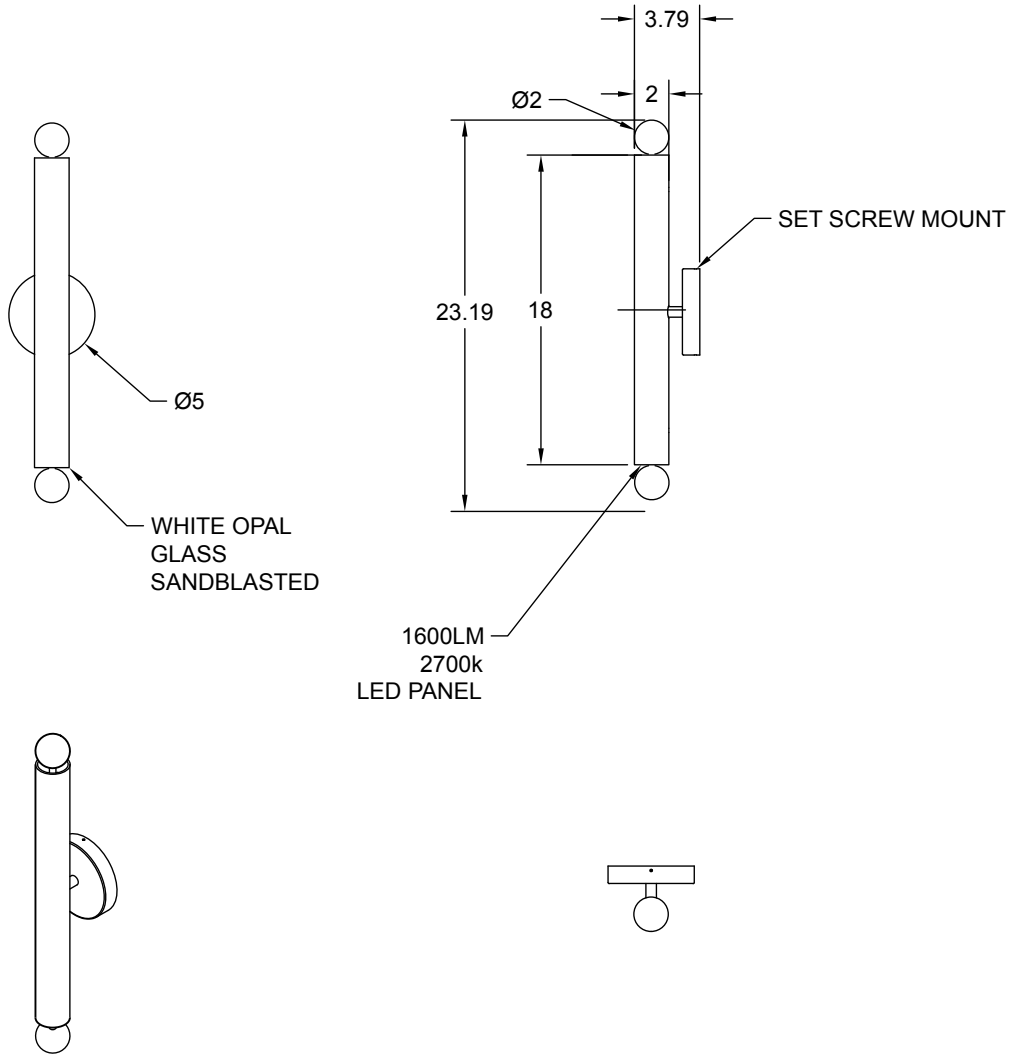
16 Watt Integrated LED Panel
100 Watt Equivalent
1600 Lumens
2700K Color Temperature
Triac & ELV Compatible
Dimmable and Flicker-Free
Panel Life 50,000 Hours
UL/CE Listed
Damp Rated



front

side

WORKSTEAD



WORKSTEAD



TUBE PENDANT
hewn brass

WORKSTEAD

TUBE

pendant hardwired

Description

The TUBE PENDANT disperses a bold beam of light into space, hovering delicately above a counter, table, or hall. Matte blown-glass is playfully offset by two metal balls, presenting a fixture that is both luminous and rhythmic. UL Listed. Damp Rated.

Finish Options

Hewn Brass
Hand Finished Bronze
Brushed Nickel

Dimensions

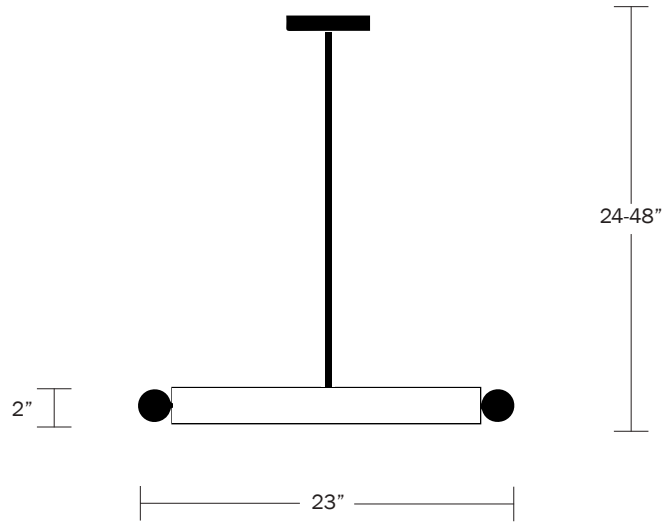
Overall Height Small - 24"
Medium - 36"
Large - 48"
Overall Length - 23"
Glass Length - 18"
Glass Diameter - 2"
Canopy Diameter - 5"
Rod Diameter - .5"
Custom Overall Heights Available

Weight

8 lbs

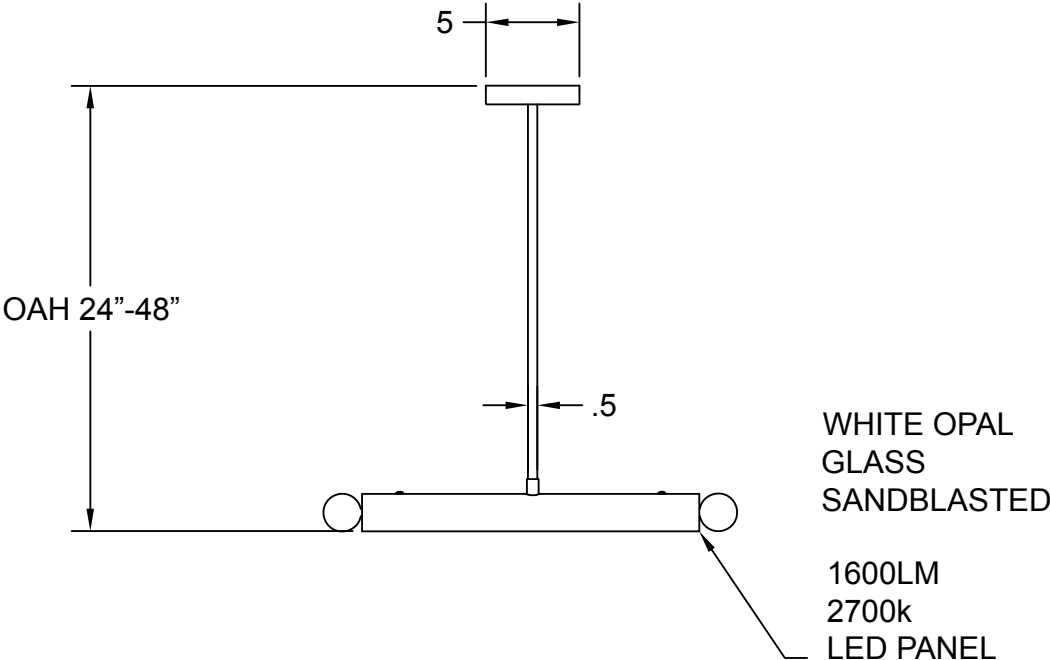
Lamp

16 Watt Integrated LED Panel
100 Watt Equivalent
1600 Lumens
2700K Color Temperature
Triac & ELV Compatible
Dimmable and Flicker-Free
Panel Life 50,000 Hours
UL/CE Listed
Damp Rated



side

WORKSTEAD



WORKSTEAD



TUBE FLUSH MOUNT
hewn brass

WORKSTEAD

TUBE

flush mount hardwired

Description

The TUBE FLUSH MOUNT expresses a bold beam of light appropriate for bathroom and hallway installations. UL Listed. ADA Compliant. Damp Rated.

Finish Options

Hewn Brass
Hand Finished Bronze
Brushed Nickel

Dimensions

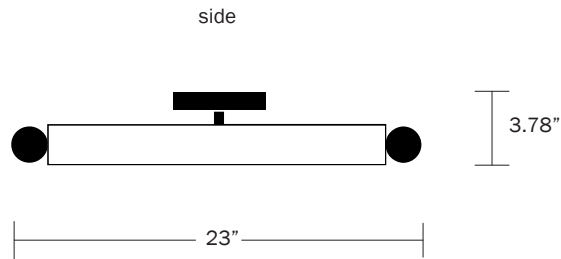
Overall Height - 4"
Overall Length - 23"
Glass Length - 18"
Glass Diameter - 2"
Depth - 5"
Backplate Diameter - 5"

Weight

6 lbs

Lamp

16 Watt Integrated LED Panel
100 Watt Equivalent
1600 Lumens
2700K Color Temperature
Dimmable and Flicker-Free
Triac & ELV Compatible
Panel Life 50,000 Hours
UL/CE Listed
Damp Rated



WORKSTEAD

