

# WORKSTEAD



**LODGE DOUBLE SCONCE**  
oxidized ash

# WORKSTEAD



**LODGE DOUBLE SCNCE**  
natural oak

# WORKSTEAD

## LODGE DOUBLE SCONCE

hardwired

### Description

The LODGE DOUBLE SCONCE is identical in scale to our endlessly versatile LODGE SCONCE, but introduces a second bulb, for twice the illumination. UL Listed. Damp Rated .

### Finish Options

Natural Oak  
Oxidized Ash  
Painted White  
Hewn Brass  
Blackened Steel

### Dimensions

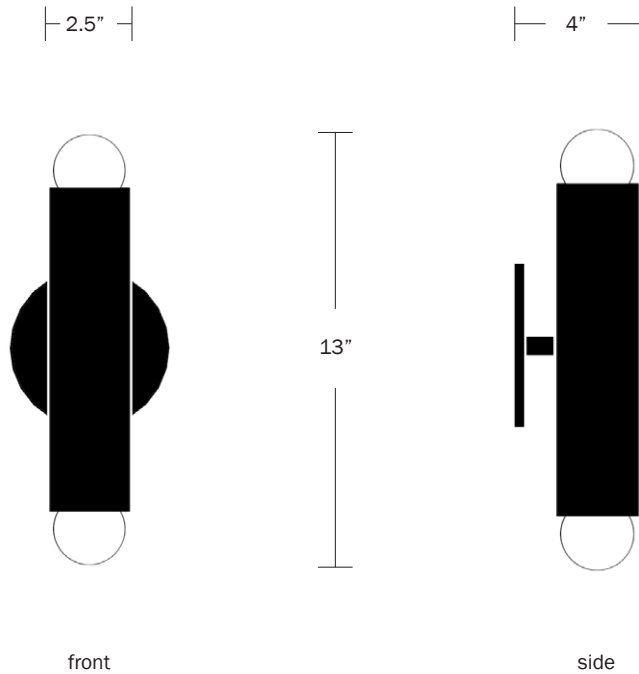
ADA Compliant  
Cylinder Height - 10"  
Overall Height - 13"  
Cylinder Diameter - 2.5"  
Canopy Diameter - 5"

### Weight

8 lbs

### Lamp

25 Watt Incandescent Max  
(2) Tala Sphere I E12 Bulb Included  
2" Diameter | 3.8 Watts  
220 Total Lumens  
2000-2800K Color Temperature  
Bulb Life 15,000 Hours  
110/120V, E12  
220/240V, E14  
UL/CE Listed  
Damp Rated



# WORKSTEAD

