

WORKSTEAD



LODGE CHANDELIER III
oxidized ash

WORKSTEAD



LODGE CHANDELIER III
natural oak

WORKSTEAD



LODGE CHANDELIER III
painted white

WORKSTEAD

LODGE CHANDELIER III

hardwired

Description

The LODGE CHANDELIER III explores the concept of wooden framework in contrast with metal structure. Three turned-wooden forms support a delicate system of metal tubing, and a trio of radiant porcelain bulbs. Custom dimensions available. Made in the USA. UL Listed. Damp Rated upon request.

Finish Options

Natural Oak
Oxidized Ash
Painted White
Hewn Brass
Blackened Steel

Dimensions

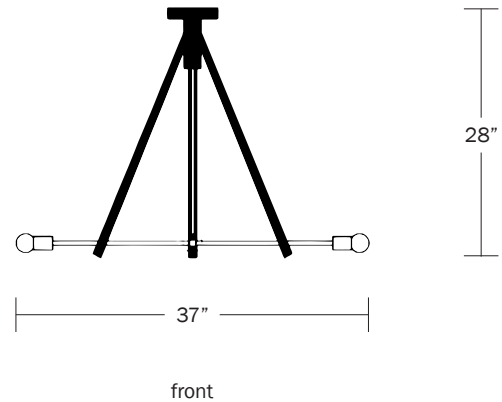
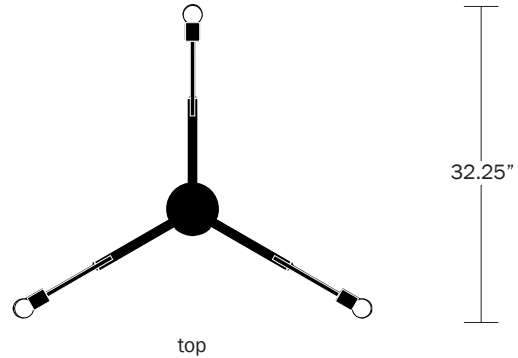
Overall Height - 28"
Width - 37"
Custom Dimensions Available

Weight

15 lbs

Lamp

60 Watt Incandescent Max Per Socket
(3) 5W Dimmable
Tala Sphere I E12 Bulbs Included
2" Diameter | 4 Watts
220 Lumens Per Bulb
2000-2800K Color Temperature
Bulb Life 15,000 Hours
110/120V, E12
220/240V, E14
UL/CE Listed
Damp Rated



WORKSTEAD

