

WORKSTEAD



CARDINAL HEMISPHERE PENDANT LARGE

matte black enamel, white enamel glass, sandblasted glass

WORKSTEAD

CARDINAL HEMISPHERE PENDANT LARGE hardwired

Description

CARDINAL HEMISPHERE PENDANT LARGE floats two substantial hand-blown glass forms in contrasting white enamel and sandblasted finishes. Suspended by a delicate chain and secured with a custom metal collar, this robust fixture is an impressive beacon in both scale and luminosity.

Hardware Finish Options

Matte White Enamel
Matte Black Enamel

Glass Finish

Top - White Enamel Glass
Bottom - Sandblasted Clear Glass

Dimensions

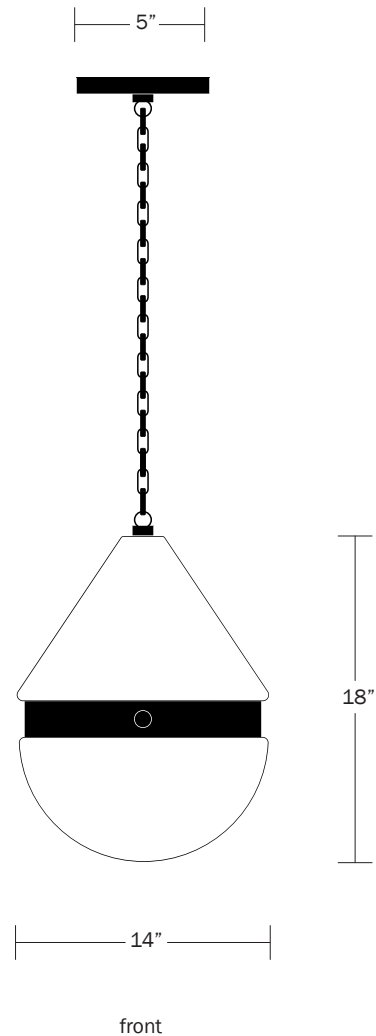
Overall Height Small - 24"
Medium - 36"
Large - 48"
Custom Overall Heights Available
Glass Diameter - 14"
Canopy Diameter - 5"

Weight

19 lbs

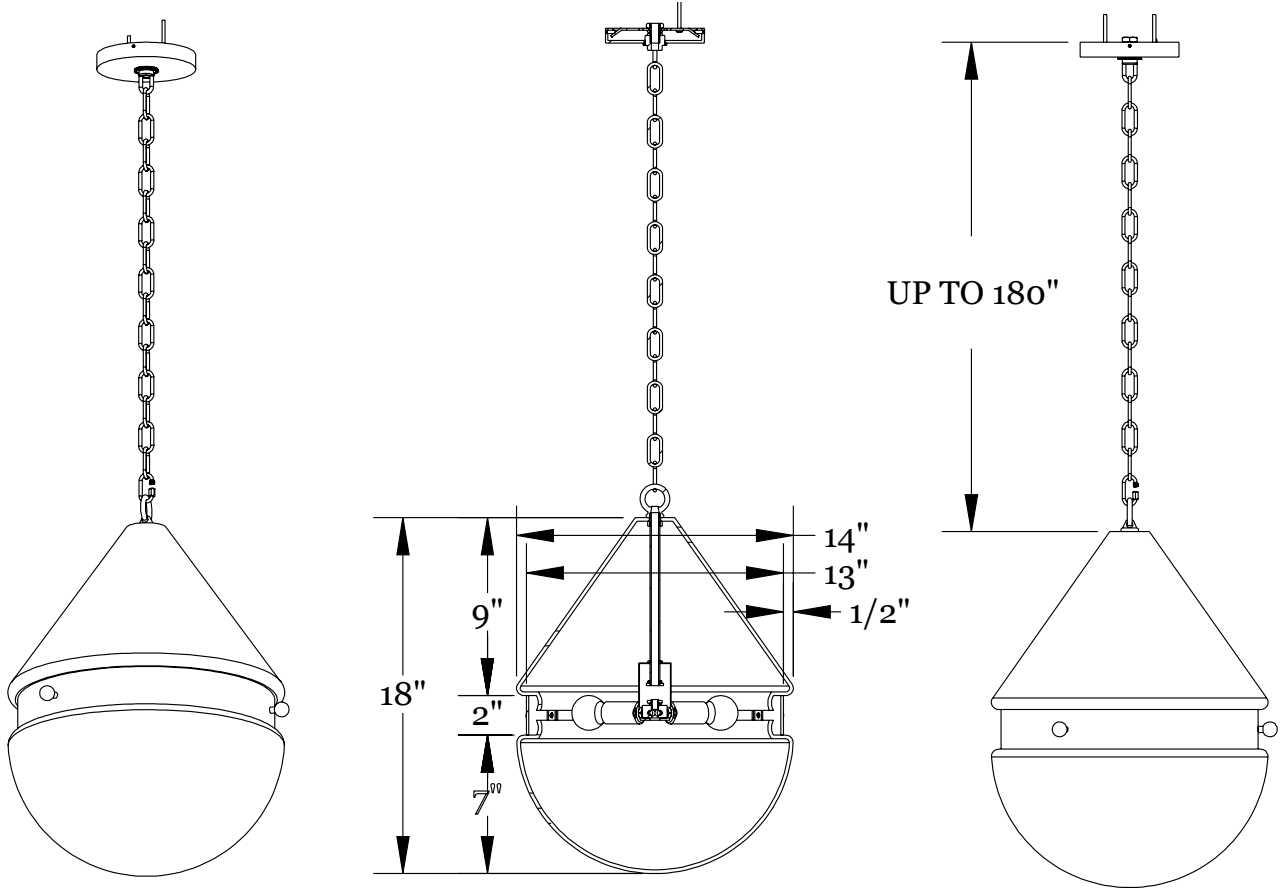
Lamp

25 Watt Incandescent Max Per Socket
(3) Tala Sphere I E12/E14 Bulbs Included
2" Diameter With
Porcelain Finish
3.8W Dimmable LED Bulb
40 Watt Equivalent
220 Lumens Per Bulb
2000 - 2800K Color Temperature
Bulb Life 15,000 Hours
110/120V, E12
220/240V, E14
UL/cUL/CE Listed
Damp Rated
Swag Kit Available Upon Request



WORKSTEAD

CHAIN ADJUSTABLE DURING
ON SITE INSTALLATION



CHAIN WIRED WITH
COLOR MATCHED
CLOTH CORD