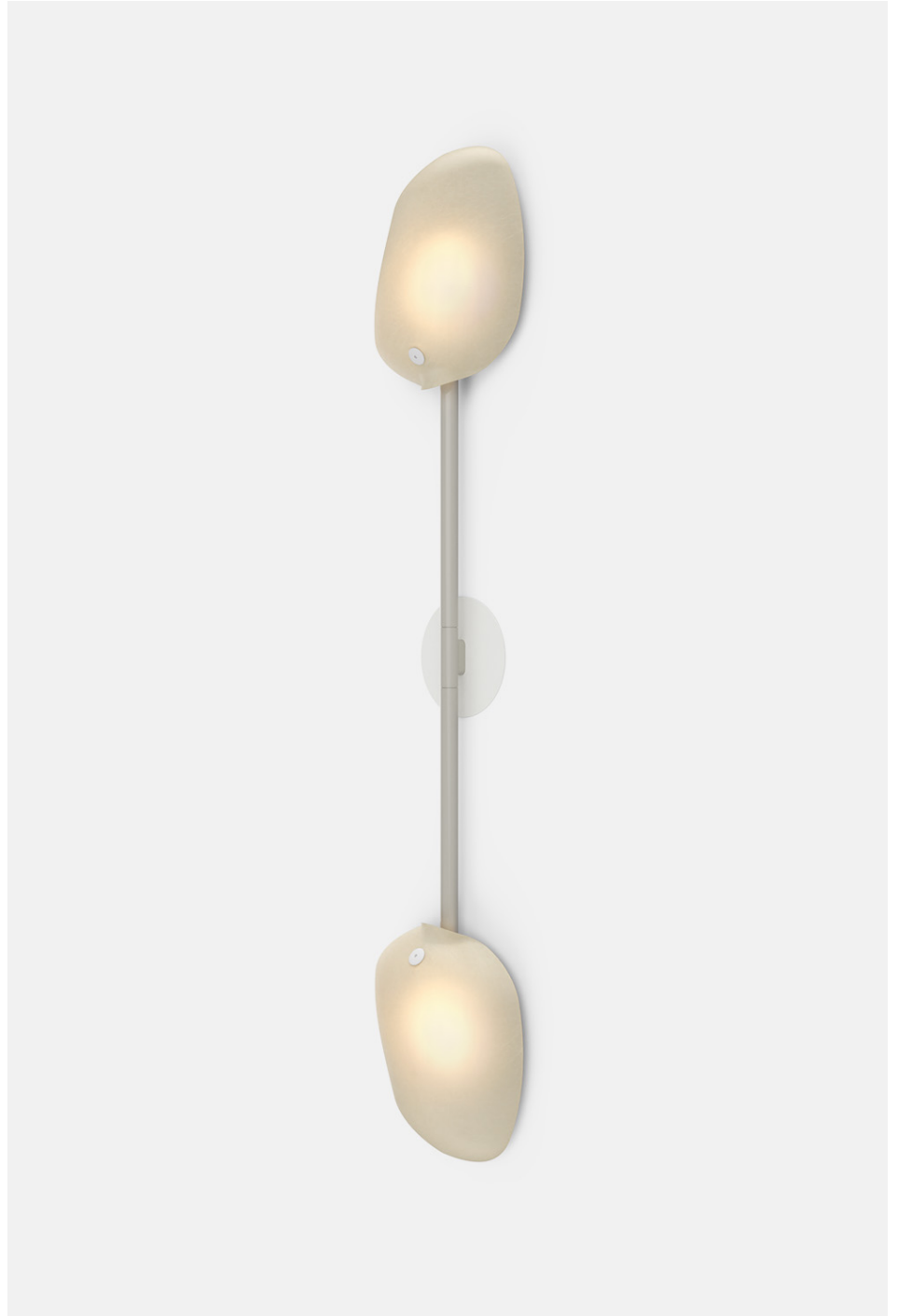


# Pilot Sconce 2 Head



Sconces

50 Greene St  
New York NY 10013  
T +1 212 388 1621  
sales@rbw.com



For 2D & 3D drawings of all products, including CAD, Revit and IES files, please visit [rbw.com](http://rbw.com)

**DESCRIPTION**

Inspired by organic forms, Pilot Sconce features a rounded, shell-like shade. Available in a range of colors, lengths, and finishes. Lots of versatility to create different archetypes of wall fixtures, long vertical double arrangement or single stem.

**MATERIALS**

Fiberglass, steel, aluminum

**PERFORMANCE**

Power Consumption 18W

Luminaire Watts 18W

90 CRI

**LED LIFESPAN**

50k hours

**PATENT FILE NUMBER**

Patent Number D88,724

**CERTIFICATION**

ADA Compliant

UL Listed

Suitable for Dry Locations Only

**PRODUCT DIMENSIONS**

Small 8 x 29 x 3 in | Medium 8 x 41 x 3 in | Large 8 x 65 x 3 in

**DIMENSIONAL WEIGHT**

26 lbs

---

**YOUR PRODUCT CODE****PTS-2M-PC25-30-120\_TM\_DEX**

---

**Specification Logic****SIZE & HEAD QTY**

---

Single Head Large (44")	1L
Single Head Medium (32")	1M
Single Head Small (20")	1S
Double Head Large (66")	2L
Double Head Medium (42")	2M
Double Head Small (30")	2S

**PRIMARY FINISH**

---

Matte White Fine Texture	PC20
Silk Grey	PC25
Matte Black	PC30
Breccia	PC31
Custom Powder Coat	PCXX
Polished Chrome	PF13
Satin Brass	PF17
Custom Plated Finish	PFXX

**COLOR TEMPERATURE**

---

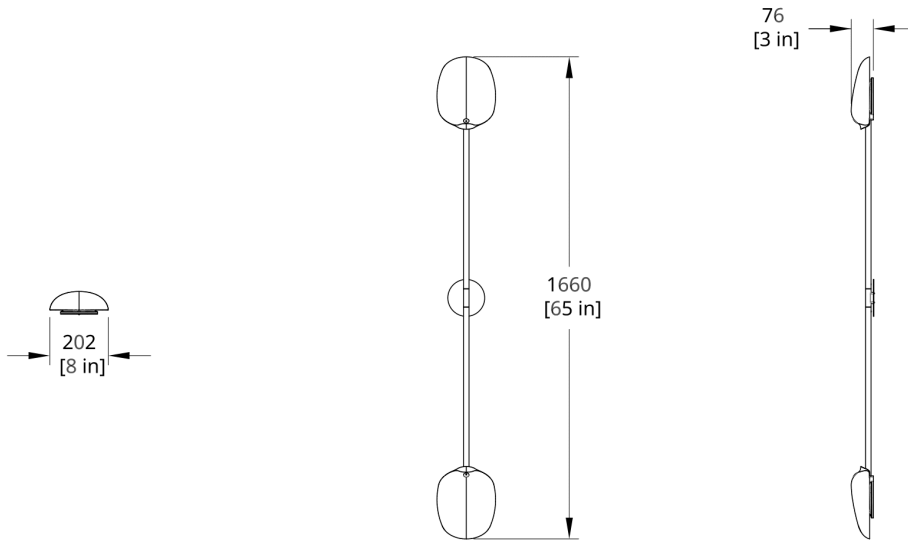
2700K (warm white)		27
3000K (soft white)		30
3500K (neutral white)		35

**INPUT / CONTROL / POWER**

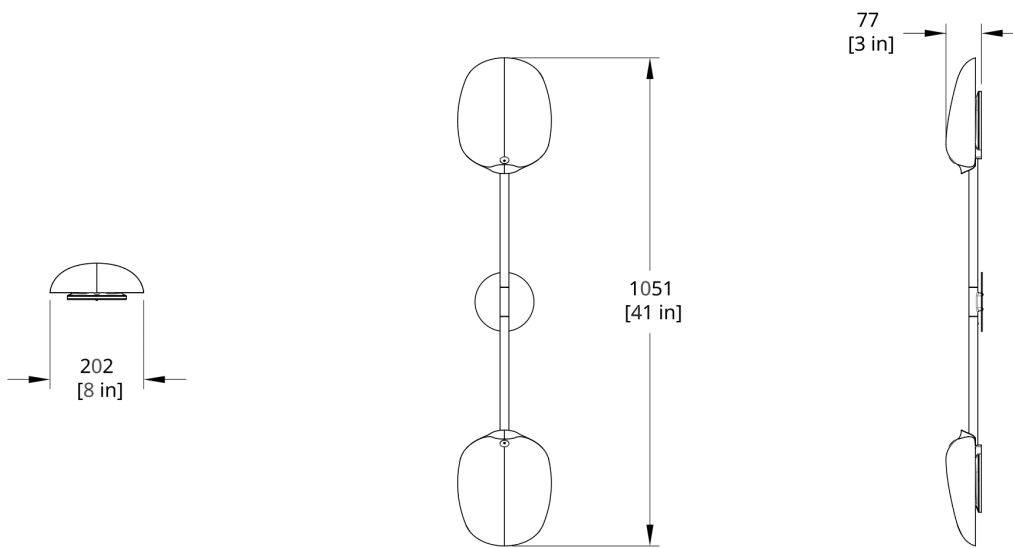
---

110-120V Input TRIAC / ELV / 0-10V, 1% Dimming	120_TM_DEX
220-240V Input 0-10V, 1% Dimming	220_10_DEX
110-277V Input 0-10V, 0.1% Dimming	277_10_DEX
110-277V Input DALI, 0.1% Dimming	277_DL_DEX

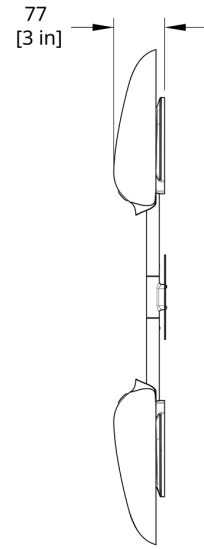
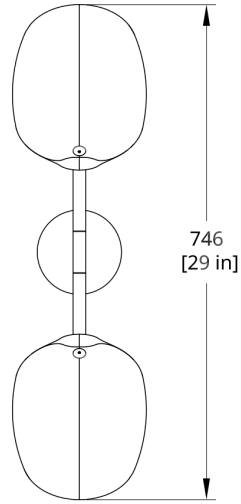
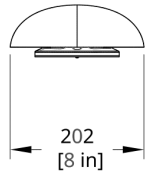
# Drawings



## PTS-2L Pilot Sconce Dimension



## PTS-2M Pilot Sconce Dimension



PTS-2S Pilot Sconce Dimension

Generate Date: Fri Nov 19 2021