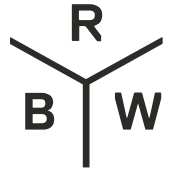


Pilot Sconce 1 Head



Sconces

50 Greene St
New York NY 10013
T +1 212 388 1621
sales@rbw.com



For 2D & 3D drawings of all products, including CAD, Revit and IES files, please visit rbw.com

DESCRIPTION

Inspired by organic forms, Pilot Sconce features a rounded, shell-like shade. Available in a range of colors, lengths, and finishes. Lots of versatility to create different archetypes of wall fixtures, long vertical double arrangement or single stem.

MATERIALS

Fiberglass, steel, aluminum

PERFORMANCE

Power Consumption 9W

Luminaire Watts 9W

90 CRI

LED LIFESPAN

50k hours

PATENT FILE NUMBER

Patent Number D88,724

CERTIFICATION

ADA Compliant

UL Listed

Suitable for Dry Locations Only

**PRODUCT DIMENSIONS**

Small 8 × 20 × 3 in | Medium 8 × 32 × 3 in | Large 8 × 44 × 3 in

DIMENSIONAL WEIGHT

15 lbs

YOUR PRODUCT CODE**PTS-1M-PC30-27-120_TM_DEX**

Specification Logic**SIZE & HEAD QTY**

Single Head Large (44")	1L
Single Head Medium (32")	1M
Single Head Small (20")	1S
Double Head Large (66")	2L
Double Head Medium (42")	2M
Double Head Small (30")	2S

PRIMARY FINISH

Matte White Fine Texture	PC20
Silk Grey	PC25
Matte Black	PC30
Breccia	PC31
Custom Powder Coat	PCXX
Polished Chrome	PF13
Satin Brass	PF17
Custom Plated Finish	PFXX

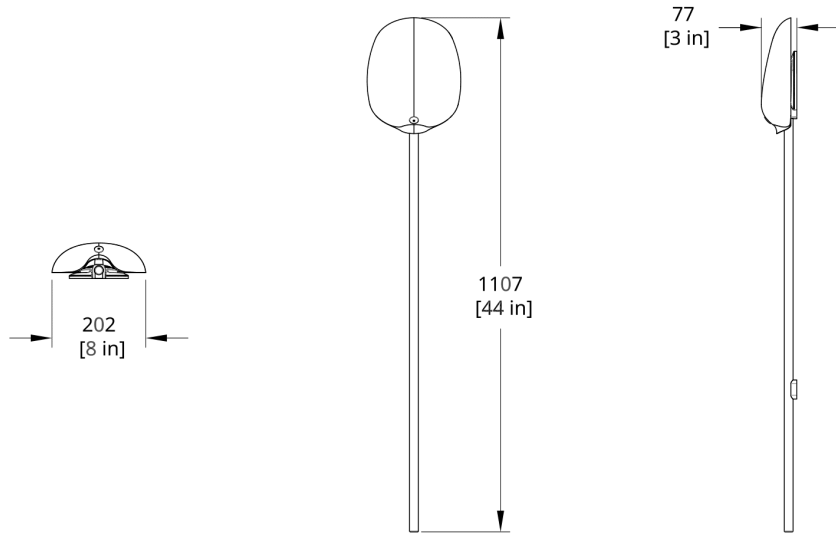
COLOR TEMPERATURE

2700K (warm white) ⁽ⁱ⁾	27
3000K (soft white)	30
3500K (neutral white)	35

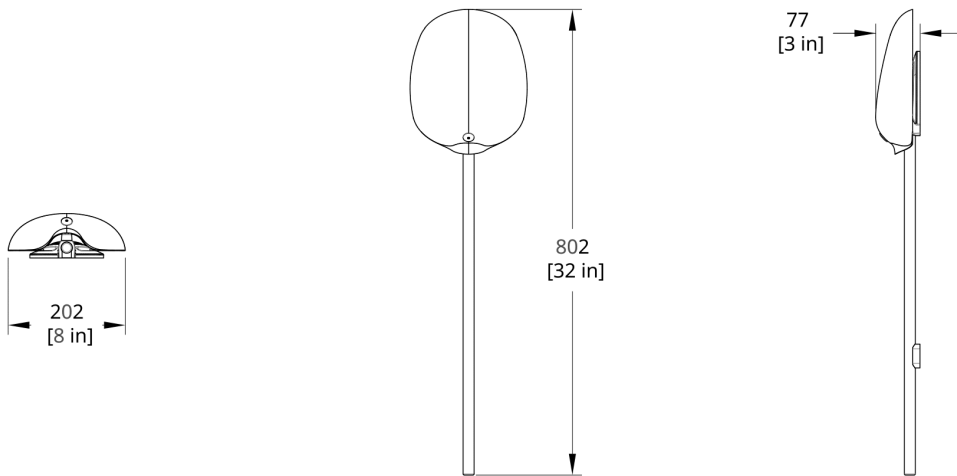
INPUT / CONTROL / POWER

110-120V Input TRIAC / ELV / 0-10V, 1% Dimming	120_TM_DEX
220-240V Input 0-10V, 1% Dimming	220_10_DEX
110-277V Input 0-10V, 0.1% Dimming	277_10_DEX
110-277V Input DALI, 0.1% Dimming ⁽ⁱ⁾	277_DL_DEX

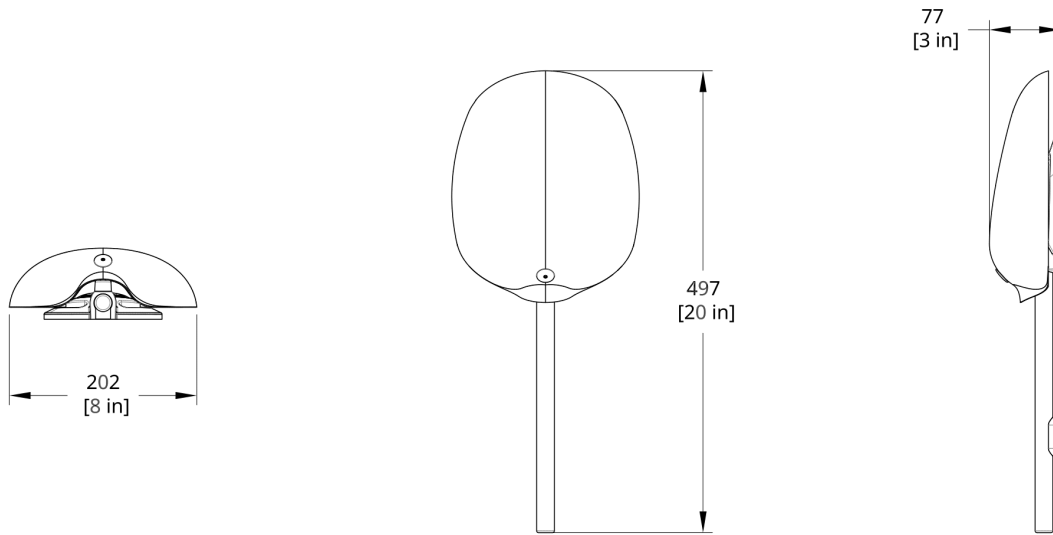
Drawings



PTS-1L Pilot Sconce Dimension



PTS-1M Pilot Sconce Dimension



PTS-1S Pilot Sconce Dimension

Generate Date: Fri Nov 19 2021