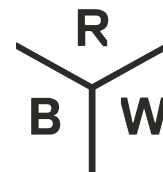


Monocle

Sconces



50 Greene St
New York NY 10013
T +1 212 388 1621
sales@rbw.com



For 2D & 3D drawings of all products, including CAD, Revit and IES files, please visit rbw.com

DESCRIPTION

Monocle—a sleek, rotating sconce, with dimming control at the touch of a finger. Touch to cycle three levels of light, on, and off. Monocle’s pleasantly round demeanor and touch dimmer makes it an ideal lamp for a bedside or workstation.

MATERIALS

Cast aluminum, steel, TPE cord, molded plastic

PERFORMANCE

340 lm

Power Consumption 8.9W

Luminaire Watts 8.9W

38.2 lm/W

90 CRI

LED LIFESPAN

50k hours

PATENT FILE NUMBER

Patent Number D900,373, 188813, 006641924-0001, GB90066419240001

CERTIFICATION

UL Listed

CE

Suitable for Damp Locations

**PRODUCT DIMENSIONS**

5.5 × 5 × 4.6 in

PRODUCT WEIGHT

2.2 lbs / 1 kg

DIMENSIONAL WEIGHT

4 lbs

YOUR PRODUCT CODE

MNT-PC43-27-120_TD_LINE

Specification Logic

PRIMARY FINISH

Matte White Fine Texture	PC20
Matte Black	PC30
Vert Clair	PC43
Buff	PC44
Custom Powder Coat	PCXX

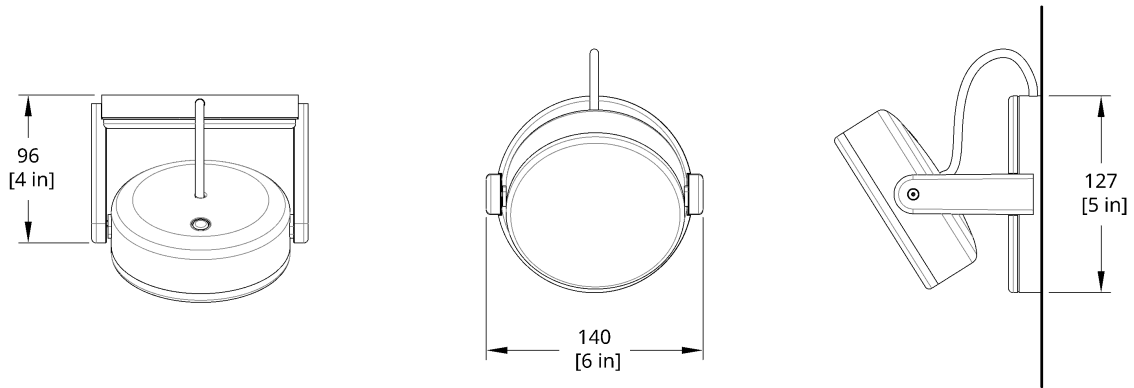
COLOR TEMPERATURE

2700K (warm white)	27
3000K (soft white)	30
3500K (neutral white)	35

INPUT / CONTROL / POWER

110-120V Input Touch Dimming	120_TD_LINE
110-120V Input TRIAC / ELV / 0-10V, 1% Dimming	120_TM_DEX
220-240V Input 0-10V, 1% Dimming	220_10_DEX
220-240V Input ELV Reverse Phase, 1% Dimming	220_ELV_DEX
220-240V Input Touch Dimming	220_TD_LINE
220-240V Input TRIAC / Forward Phase, 1% Dimming	220_TR_DEX
110-277V Input 0-10V, 0.1% Dimming	277_10_DEX
110-277V Input DALI, 0.1% Dimming	277_DL_DEX

Drawings



MNT Monocle Touch Sconce Dimension.png

Generate Date: Fri Nov 19 2021