

# Ledge Square

Sconces



50 Greene St  
New York NY 10013  
T +1 212 388 1621  
sales@rbw.com



For 2D & 3D drawings of all products, including CAD, Revit and IES files, please visit [rbw.com](http://rbw.com)

**DESCRIPTION**

LEDge's beauty lies in the economy of its form. Ledge's clean-cut design, drawn up as an intersection between two geometric planes, fits nicely into a range of settings. Its flexibility extends further in options of upward or downward installation and an array of surface finishes.

**MATERIALS**

Cast aluminum LED housing, molded PCB lens

**COLLECTION NOTES**

Ledge is suitable for wet locations when installed with diffuser facing down.

**PERFORMANCE**

390 lm

Power Consumption 8.8W

Luminaire Watts 8.8W

44.4 lm/W

90 CRI

**LED LIFESPAN**

50k hours

**CERTIFICATION**

ADA Compliant

UL Listed

Suitable for Wet Locations

IP44

**PRODUCT DIMENSIONS**

5 x 5 x 3 In Depth

**PRODUCT WEIGHT**

2.5 lbs / 1.14 kg

**DIMENSIONAL WEIGHT**

3 lbs

## YOUR PRODUCT CODE

**LD-S-PC30-30-120\_TR\_LINE**

## Specification Logic

**PRIMARY FINISH**

Matte White Fine Texture	PC20
Matte Black	PC30
Custom Powder Coat	PCXX

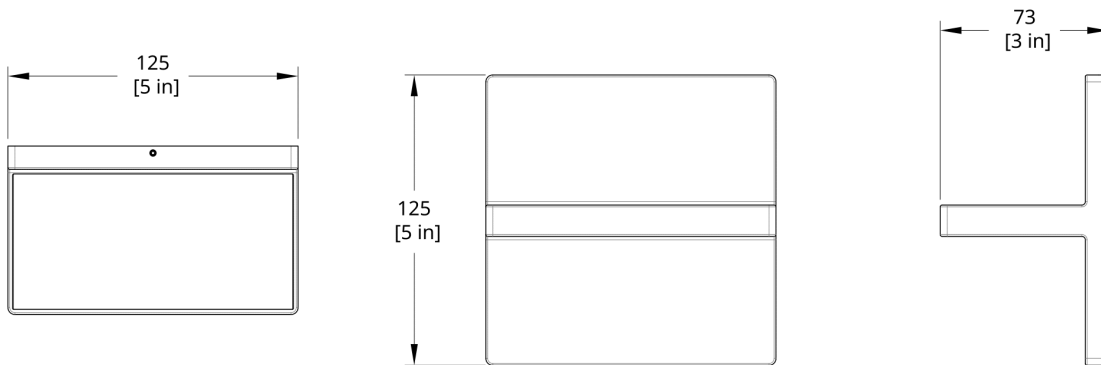
**COLOR TEMPERATURE**

2700K (warm white)	27
3000K (soft white)	30

**INPUT / CONTROL / POWER**

110-120V Input TRIAC 10% Dimming	120_TR_LINE
----------------------------------	-------------

# Drawings



## LD-S Ledge Sconce Dimension

Generate Date: Thu Nov 18 2021