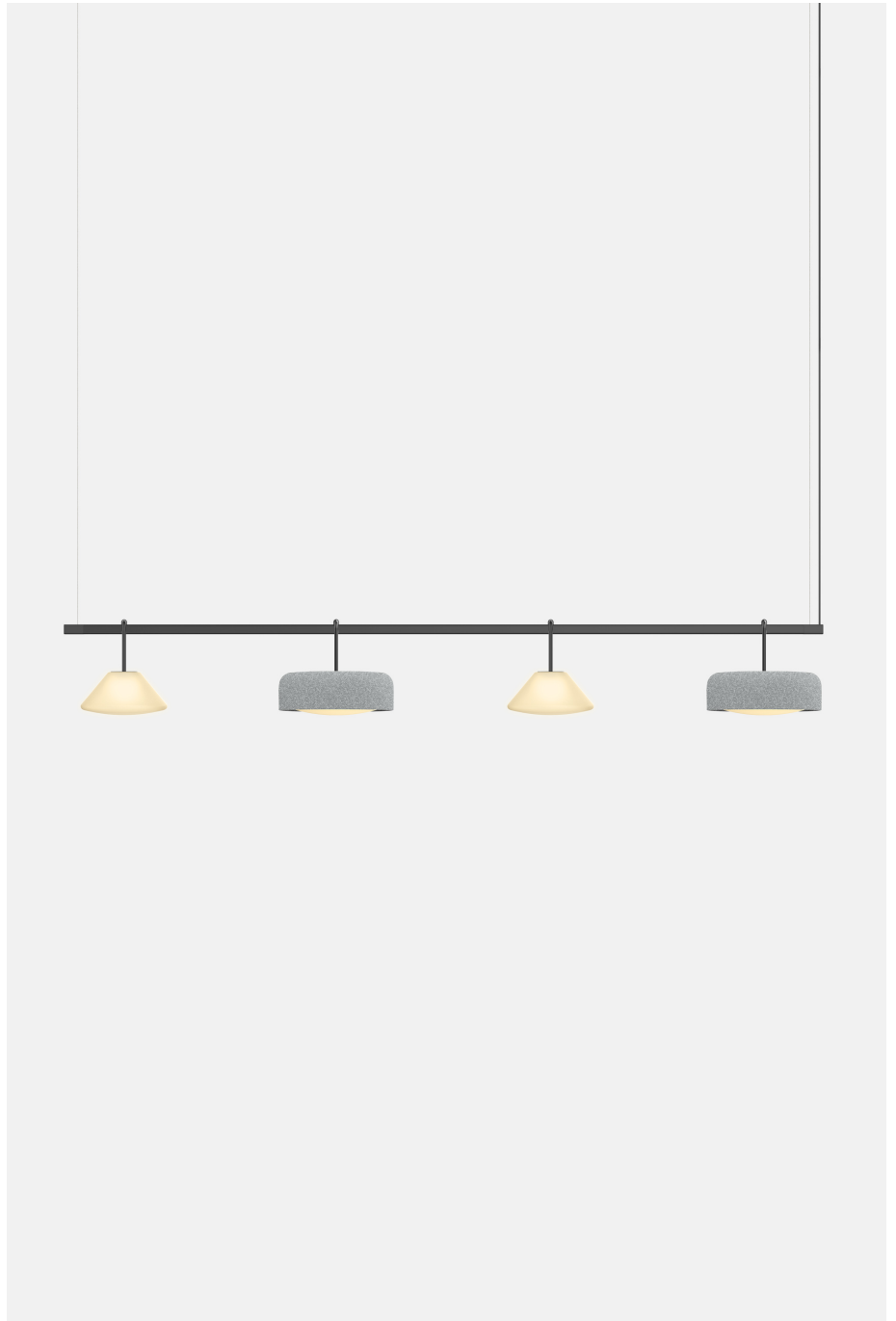


Highline 8' (4 head)

Pendants



50 Greene St
New York NY 10013
T +1 212 388 1621
sales@rbw.com



For 2D & 3D drawings of all products, including CAD, Revit and IES files, please visit rbw.com

DESCRIPTION

Highline's slim, suspended beam pairs with three distinct fixture options. Choose the sleekness of the cone pendant, the versatile dual-axis swivel of a spotlight, or the warmth of the felt shade made from 90% post-consumer fibers. Pair with a linear uplight that casts a diffuse glow.

LED LIFESPAN

50000 hr

CERTIFICATION

UL Listed



PRODUCT DIMENSIONS

Dimensions vary for this Product. Please refer to Downloads for dimensions

YOUR PRODUCT CODE

HL-84-1-2-1-2-N-27-LV

Specification Logic

HEAD ONE

Cone Light Pendant	1
Cone Light Pendant w. Felt Shade	2
Spotlight	3

HEAD TWO

Cone Light Pendant	1
Cone Light Pendant w. Felt Shade	2
Spotlight	3

HEAD THREE

Cone Light Pendant	1
Cone Light Pendant w. Felt Shade	2
Spotlight	3

HEAD FOUR

Cone Light Pendant	1
Cone Light Pendant w. Felt Shade	2
Spotlight	3

UPLIGHT

No uplight	N
Uplight	U

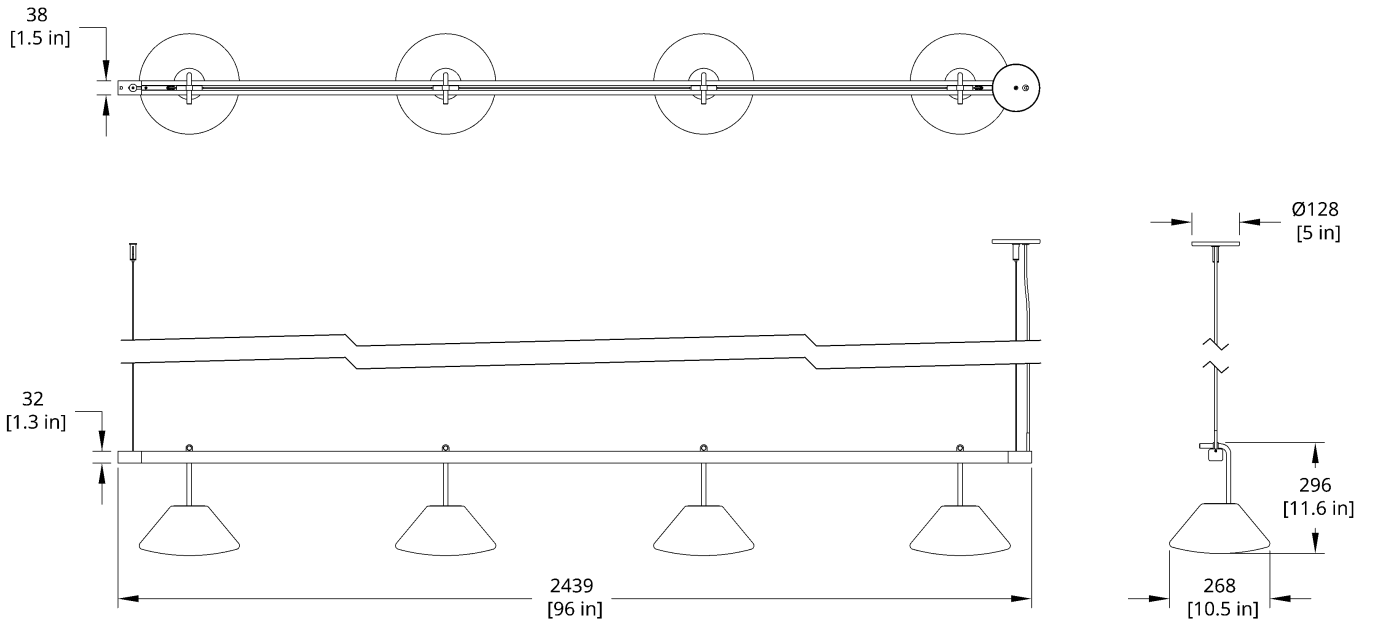
COLOR TEMPERATURE

2700K (warm white)	27
3000K (soft white)	30
3500K (neutral white)	35
4000K (cool white)	40

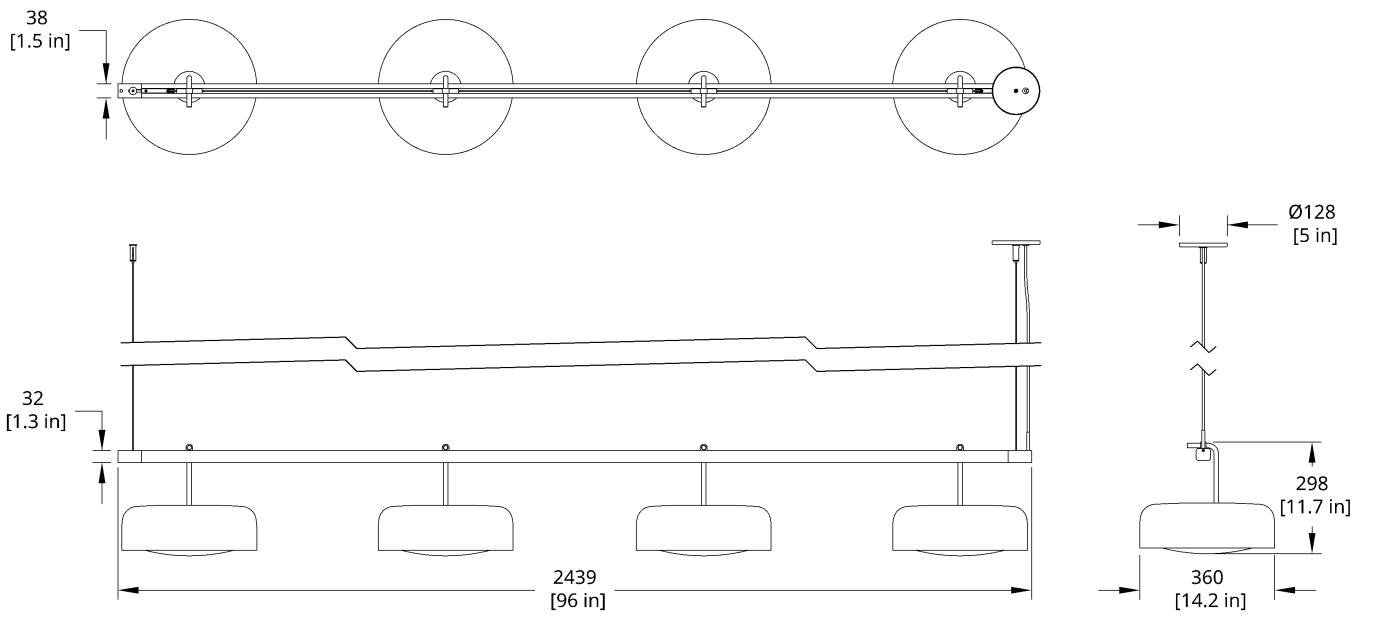
DIMMING / CONTROL / INPUT

1% Dimming, 0-10V Control, 120V or 277V "Universal Input"	1_10V_UNV
Low Voltage (Driver required, driver not included)	LV

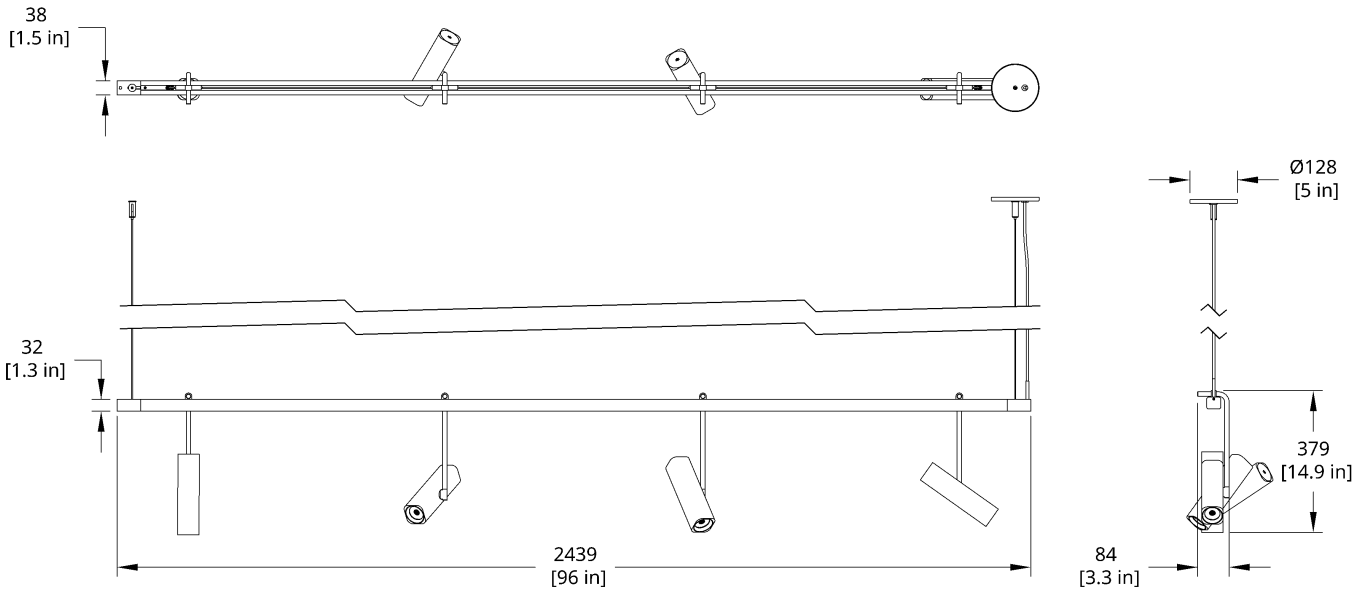
Drawings



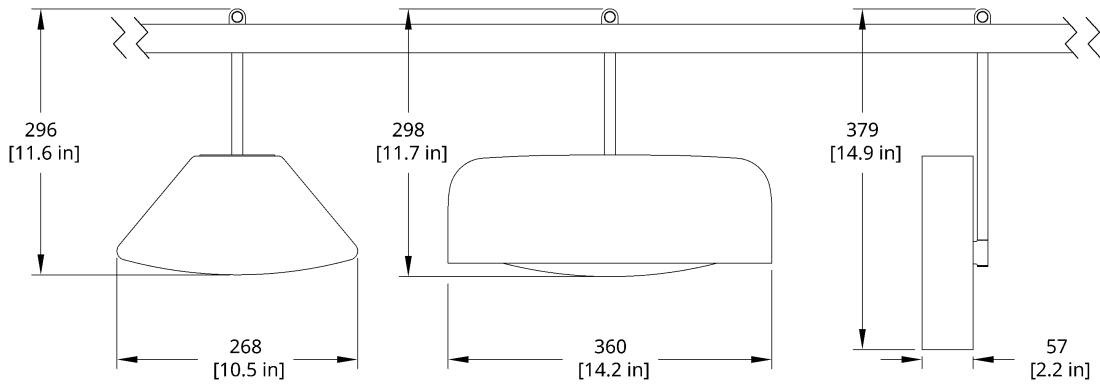
HL Highline 8' 4 Head (Cone Light Pendant)



HL Highline 8' 4 Head (Cone Light Pendant w. Felt Shade)



HL Highline 8' 4 Head (Spotlight)



Highline 3 Head Types