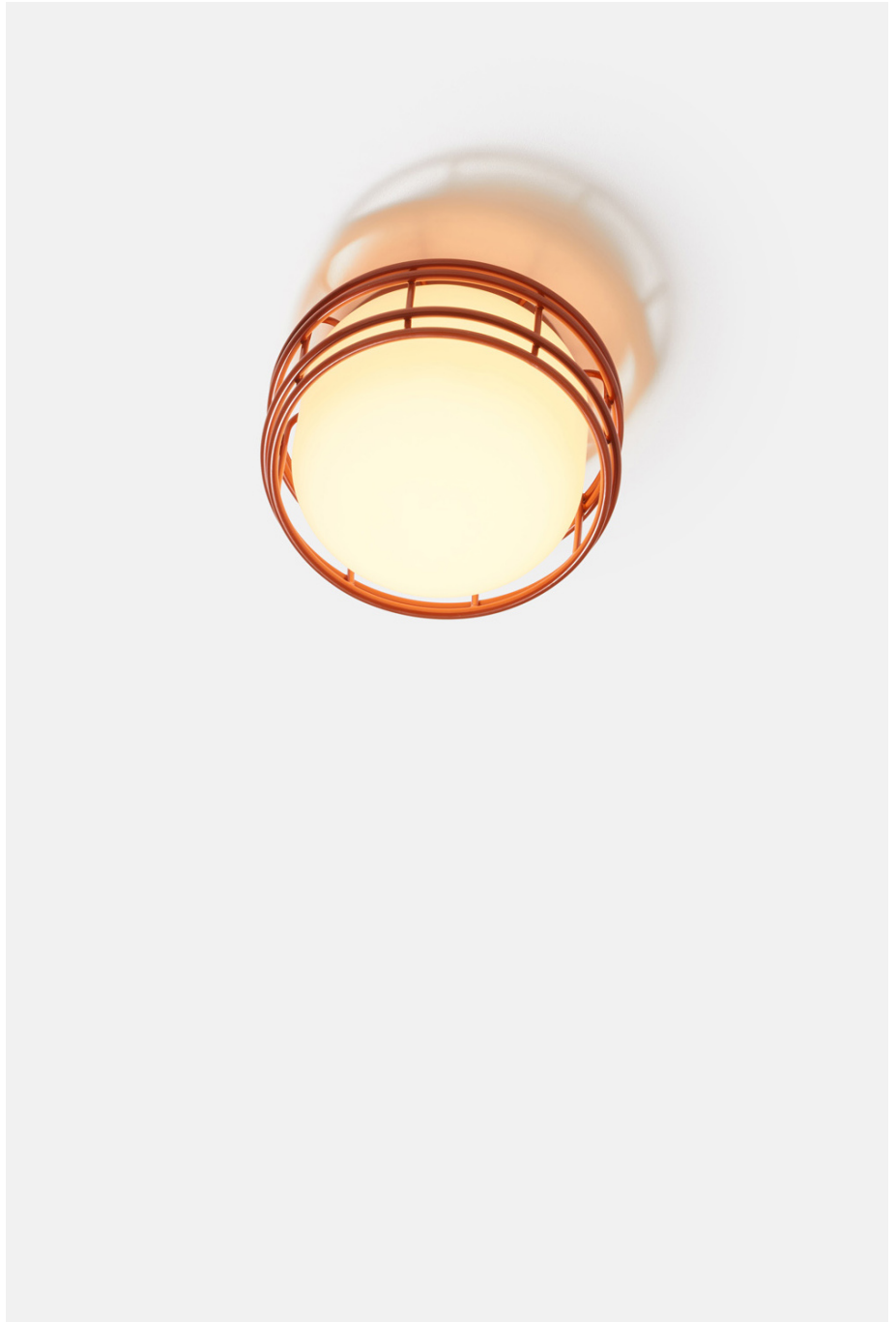


Cape Flush Mount

Ceiling Flush Mounts



50 Greene St
New York NY 10013
T +1 212 388 1621
sales@rbw.com



For 2D & 3D drawings of all products, including CAD, Revit and IES files, please visit rbw.com

Generate Date: Mon Dec 04 2023

DESCRIPTION

Designed in collaboration with Little Wing Lee of Studio & Projects, Cape is a modern ode to maritime design—a refined exploration of nautical light—where distinctive geometry, playful expression and high-performance lighting technology come together.

MATERIALS

Blown solid glass, steel, aluminum

PERFORMANCE

Delivered Lumens: Medium 360.4lm (AC) 684.2lm (DC) | Small 324lm (AC) 401.5 lm (DC)

Power Consumption: Medium 12W (AC) 8W (DC) | Small 8W (AC) 7.2W (DC)

Luminaire Efficacy: Medium 30 lm/W (AC) 85.5 lm/W (DC) | Small 40.5 lm/W (AC) 55.8 lm/W (DC)

90+ CRI

LED LIFESPAN

50k hr

PATENT FILE NUMBER

Patent Pending

CERTIFICATION

ADA Compliant

UL Listed

Suitable for Wet Locations

IP65

**NOTE ON IMAGERY**

All product photos are made using the correlated color temperature (CCT) of 2700k. The actual color temperature experienced within your environment may vary based on other light sources and materials present.

PRODUCT DIMENSIONS

Small: 6 in Dia 4 in H | Medium: 9 in Dia 4 in H

Generate Date: Mon Dec 04 2023

PRODUCT WEIGHT

Small: 2lb | Medium: 3.5lb

YOUR PRODUCT CODE

CP-FM- [] - [] - [] - [] - [] - [] - []

Specification Logic

SIZE

Small	S
Medium	M

PRIMARY FINISH

Jet Black	PC94
Taupe	PC95
Ocean Blue	PC96
Copper Brown	PC97
Custom Powder Coated	PCXX

COLOR TEMPERATURE

2700K (warm white)	27
3000K (soft white)	30
3500K (neutral white)	35

DIMMING / CONTROL / INPUT

10% Dimming, TRIAC / Forward Phase Control, 120V Input	10_TRIAC_120V
1% Dimming, TRIAC / Forward Phase Control, 120V Input (Driver External)	1_TRIAC_120V
1% Dimming, 0-10V Control, 120V or 277V "Universal Input" (Driver External)	1_10V_UNV
0.1% Dimming, 0-10V Control, 120V or 277V "Universal Input" (Driver External)	0.1_10V_UNV
Low Voltage (Driver required, driver not included)	LV

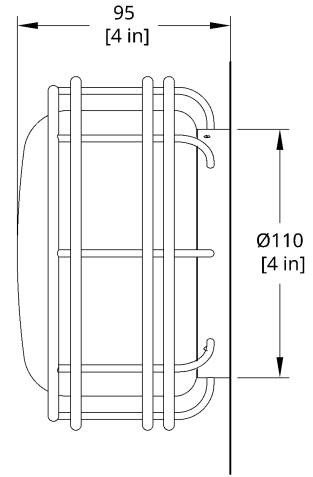
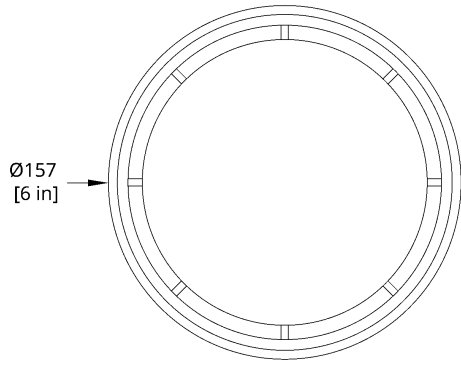
Generate Date: Mon Dec 04 2023

IP RATING

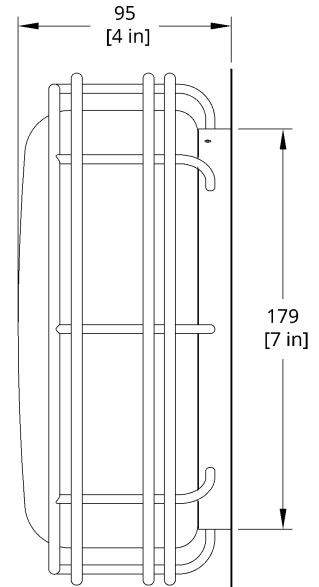
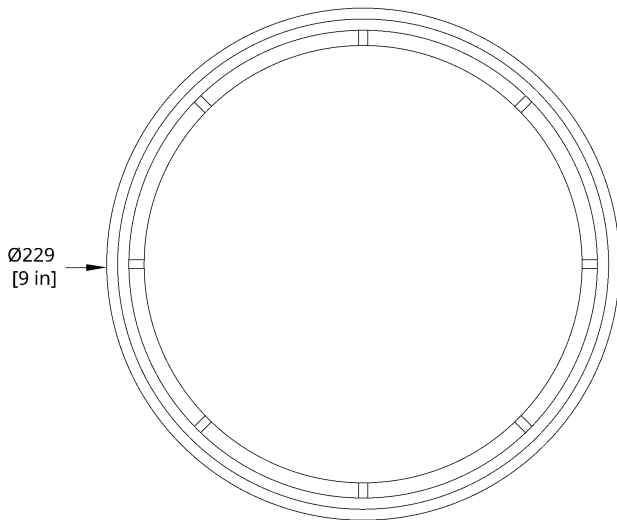
IP 65

IP65

Drawings



CP-WS-S Cape Sconce Small (Rotate 90 degrees for flush mount version)



CP-WS-M Cape Sconce Medium (Rotate 90 degrees for flush mount version)