

Brim (No Switch)



Sconces

50 Greene St
New York NY 10013
T +1 212 388 1621
sales@rbw.com



For 2D & 3D drawings of all products, including CAD, Revit and IES files, please visit rbw.com

DESCRIPTION

Brim is a minimal, customizable, multi-directional sconce equipped with a swiveling head and simple, column-like shade. The fully interchangeable shades are available in circular, square, or faceted formats, each designed to highlight different features of an array of finishes. On/Off toggle switch.

MATERIALS

Cast aluminum and steel

COLLECTION NOTES

Optional cord plug is available.

PERFORMANCE

140 lm

Power Consumption 4W

Luminaire Watts 4W

35 lm/W

90 CRI

LED LIFESPAN

50k hours

PATENT FILE NUMBER

Patent Number D887,616

CERTIFICATION

UL Listed

Suitable for Damp Locations



PRODUCT DIMENSIONS

5 x 3 x 4 in Depth

PRODUCT WEIGHT

1 lbs / 0.45 kg

DIMENSIONAL WEIGHT

3 lbs

YOUR PRODUCT CODE**BRM-SL-PC42-S2-PF13-27-120_TR_LINE**

Specification Logic

SWITCH / NO SWITCH

No Switch	SL
Switch	SW

SHADE FINISH

Matte White	PC20
Matte Black	PC30
Vermilion	PC42

DIFFUSER STYLE (SHADE)

Faceted	S1
Round	S2
Square	S3

SECONDARY FINISH

Matte White	PC20
Silk Grey	PC25
Ochre Yellow	PC26
Emerald	PC28
Matte Black	PC30
Vermilion	PC42
Custom Powder Coat	PCXX
Polished Chrome	PF13
Satin Brass	PF17
Custom Plated Finish	PFXX

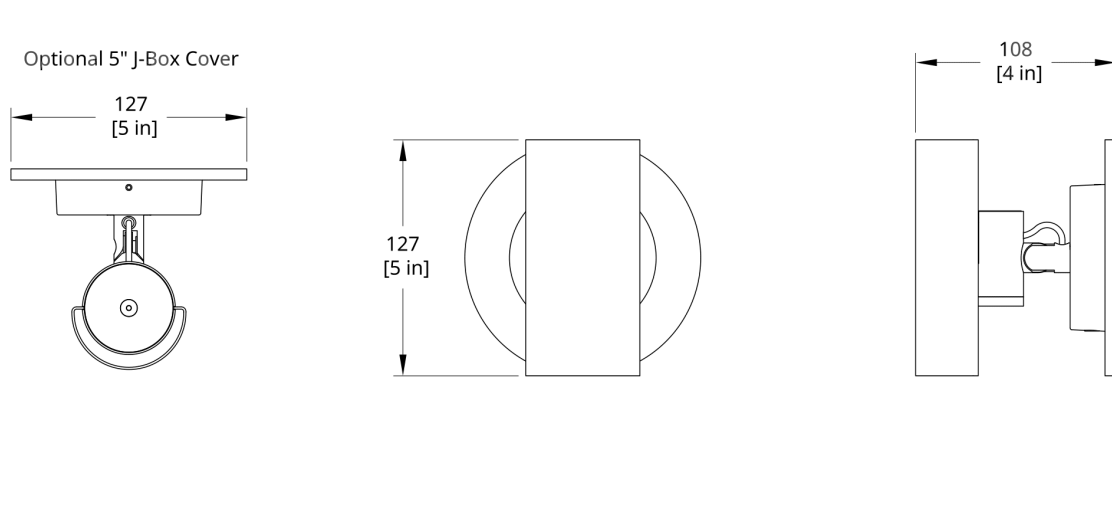
COLOR TEMPERATURE

2700K (warm white)	27
3000K (soft white)	30

INPUT / CONTROL / POWER

110-120V Input TRIAC, 10% dimming	120_TR_LINE
220-240V Input TRIAC, 10% dimming	220_TR_LINE

Drawings



BRM-SL Brim Switchless Dimension

Generate Date: Thu Nov 18 2021