

PELLE

STEM SHADE 12

Collection:
Stem

Design Year:
2015

Dimensions:
Diam 11.5in/29cm x H 16in/40cm

Weight:
5lbs/2.3kg

Illumination:
Included: 1x LED G25 Bulb / Frosted / E26
350 Lumens / 4W / 2700K / CRI 90+ / Dimmable
Max. 75W per Bulb

240V upon request

Materials:
Brass or Steel Armature with Spun Brass Shade and decorative Leather coiling

Metal Finish Options:
Satin Brass, Dark Bronze, Black Brass,
White Powder Coat

Decorative Coiling Options:
Natural Cotton Cord, White, Natural, Henna, Iris Blue,
Dark Brown, Gray or Black Leather cord.
Custom leather colors available upon request.

Suspension:
Lamp cord suspension with 5in/13cm canopy in matching metal finish. Ships with 6ft/1.8m standard length lamp cord.

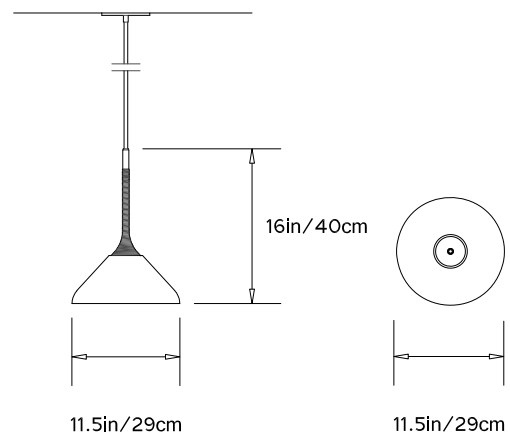
Certifications:



Made in New York



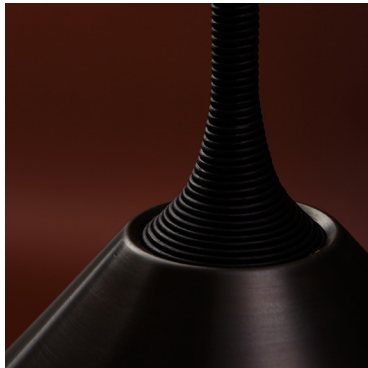
Pictured in Black Brass finish with Black Leather Coiling.



triode

28 rue Jacob 75006 Paris contact@triodedesign.com
+33 (0)1 43 29 40 05 www.triodedesign.com

STEM SHADE COLLECTION

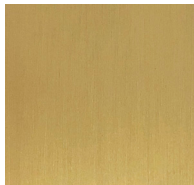


Black Brass/Black Leather

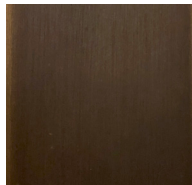


White Powder Coat/White Leather

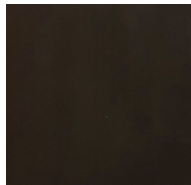
Metal Finish Options



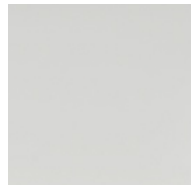
Satin Brass



Dark Bronze



Black Brass



White Powder Coat

Decorative Coiling Options - Other colors available upon request



Natural Cotton

White Leather

Natural Leather

Gray Leather

Henna Leather

Dark Brown Leather

Iris Blue Leather

Black Leather

Note on leather coiling: As a natural product, leather is prone to some variations in color, texture and shade that may differ from the samples shown.