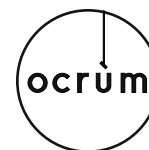


## Dew + Drop Pendant



### Collection / Category

2019 Launch Collection / Lighting

### Product Type

Pendant Lamp

### Dimensions

Medium:                      Large:  
Ø: 28 cm / 11 in          Ø: 35 cm / 13.75 in  
H: 42 cm / 16.5 in        H: 52 cm / 20.5 in

### Weight

Small: 4.5 kg / 10 lb    Large: 7.7 kg / 17 lb

### Materials

Hand Blown Glass, Chrome Plated Steel

### Colors

Top Glass: Mountain Blue / Light Blue /  
Antique Yellow  
Bottom Glass: Crystal Clear

### Light

LED, 3.5 W, 200 lm, 2700 K, 110°, 25,000 h  
Dimming Option

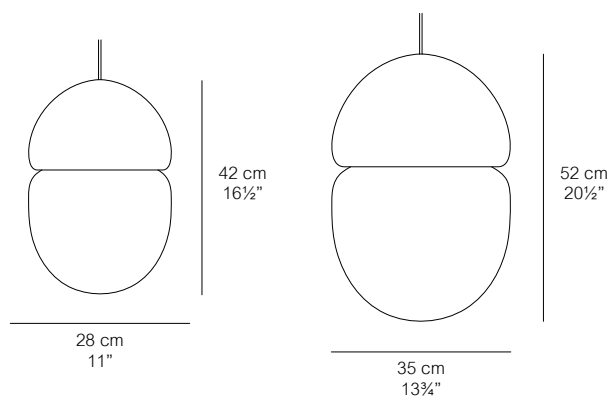
### Made in:

Italy

Dew + Drop is a pendant lamp made of two pieces of hand-blown glass, resembling a dewdrop resting on top of a falling droplet of water.

The light is trapped in between the glass, creating natural shadows and reflections all around.

During daytime, the Dew + Drop lamp shows its other colorful side, turning into a unique piece of decor.



triode

28 rue Jacob 75006 Paris  
+33 (0)1 43 29 40 05

contact@triodedesign.com  
www.triodedesign.com