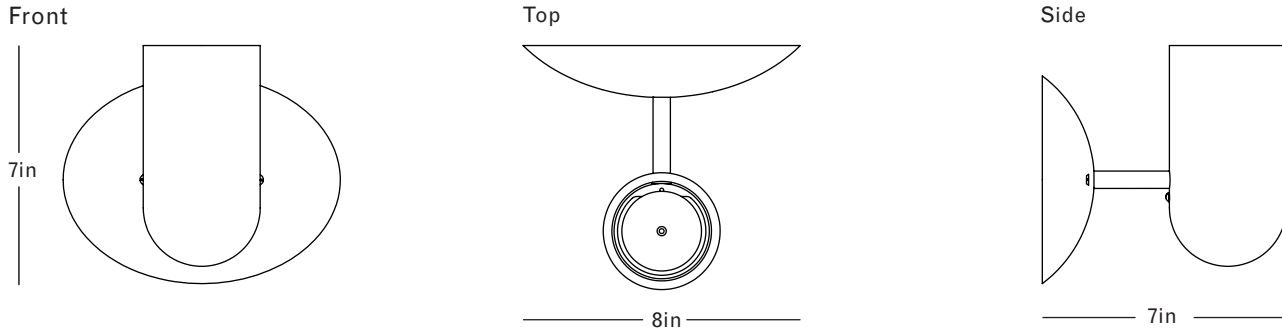




Brushed Hammered Bronze Backplate
Brushed Brass Hardware
Glazed Stoneware



Finish Palette

Specifications



Glazed Stoneware



Brushed Brass Hardware



Brushed Hammered Bronze Backplate

DIMENSIONS

Height: 7in / 17cm
 Width: 8in / 20cm
 Depth: 7in / 17cm
 Weight: 5lb / 3kg

MOUNTING

W6in x D8in Hammered bronze backplate with fixed post

MATERIALS

Hammered bronze, machined brass, glazed stoneware

BULBS

E26 / 110v / 5w / 2700k / dimmable LED
 E27 / 220v / 9w / 2700k / dimmable LED
 Maximum Fixture Wattage: 60w



UL, cUL (120V), CE, CB (240V) Certified

Inspiration

Originally designed for an immersive installation at Design Miami, this sconce maintains a spontaneous and raw sensibility. Each part is thoughtfully produced; the hammered bronze backplate, hand-forged in East Hampton, New York by master metalsmith James DeMartis, provides a reflective contrast to the carefully slip-cast glazed ceramic shade.