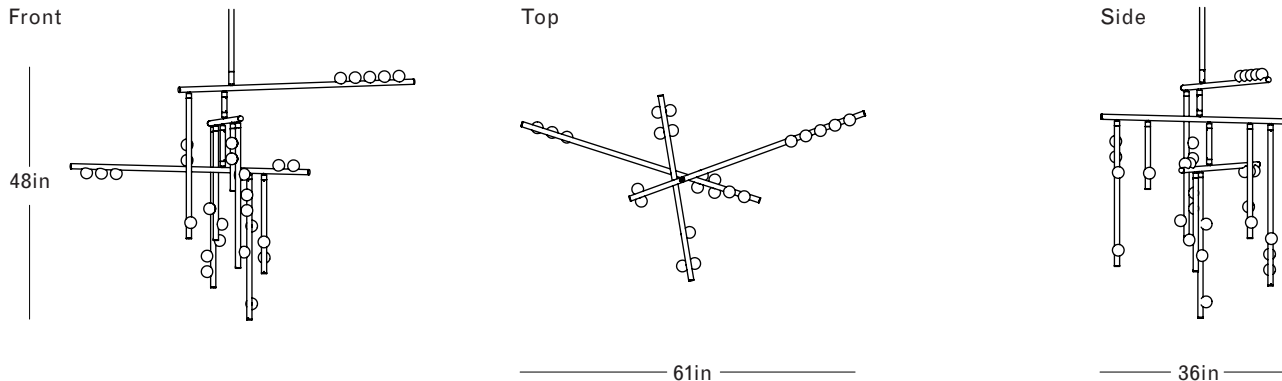




Luna
White Glass
Non-Illuminated Stem



Finish Palette

Specifications




DIMENSIONS
 Height: 48in / 121cm
 Width: 61in / 156cm
 Depth: 36in / 90cm
 Minimum Drop: 53in / 132cm
 Weight: 58lb / 26kg*
 *Reinforced junction box required

SUSPENSION
 Illuminated and non-illuminated stems available, additional fees apply, see Stem Menu

CANOPY
 Ø5in x H3in

MATERIALS
 Brass, mold-blown glass

BULBS
 G4 / 12v / 1.2w / 2700k / dimmable LED, transformer provided
 Maximum Fixture Wattage: 34.8w*
 *Illuminated stems not included

 UL, cUL (120V) Certified



Inspiration

Inspired by utilitarian rows of bare bulbs on New York City's subway and the work of Piet Mondrian, Lindsey challenged herself to be reductive in the number of unique elements in this collection. Using brass tubing and mold-blown mini glass globes, her goal was to find the wild spirit within a seemingly rigid form.