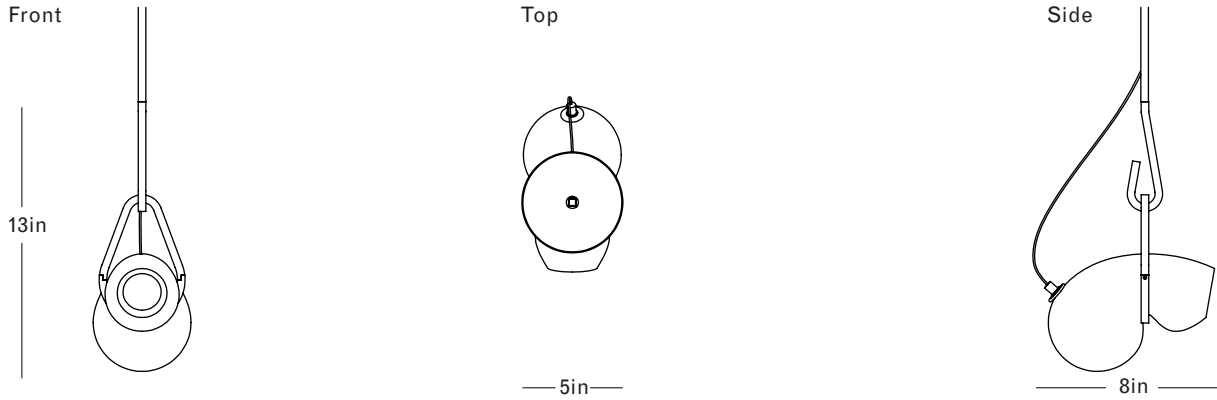


Satin Nickel
Clear Glass



Finish Palette



Specifications

DIMENSIONS

Height: To order
 Width: 5in / 13cm
 Depth: 8in / 20cm
 Minimum Drop: 19in / 48cm
 Weight: 4lb / 2kg

SUSPENSION

Brass hook. Stem connects directly to canopy.
 Alternate hardware for sloped ceilings available by request.

CANOPY

Ø5in x H.25in

MATERIALS

Machined brass, hand-blown glass

BULBS

G4 / 12v / 1.2w / 2700k / dimmable LED,
 transformer provided
 Max Wattage: 1.2w

Inspiration

The Catch collection conveys fluidity with a poetic vividness. Turning the typical chandelier hierarchy on its head, the chain links are exaggerated and the illuminated glass slumps and drips through them. This twisted combination is reminiscent of being caught and surrendering and the beauty found in that tense moment.