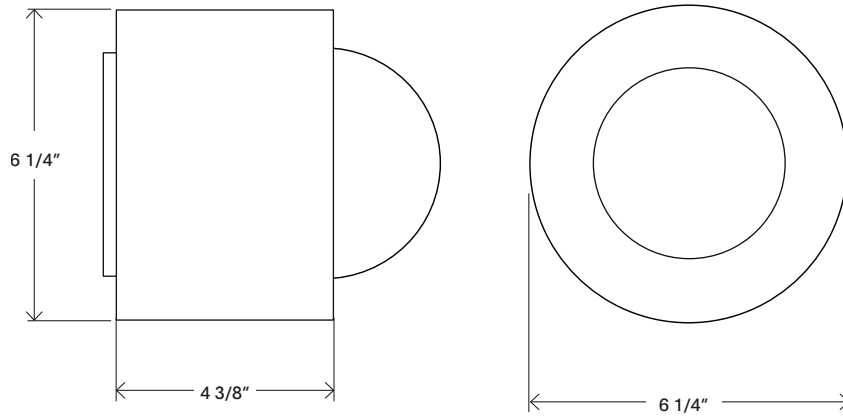


# Spun Sconce



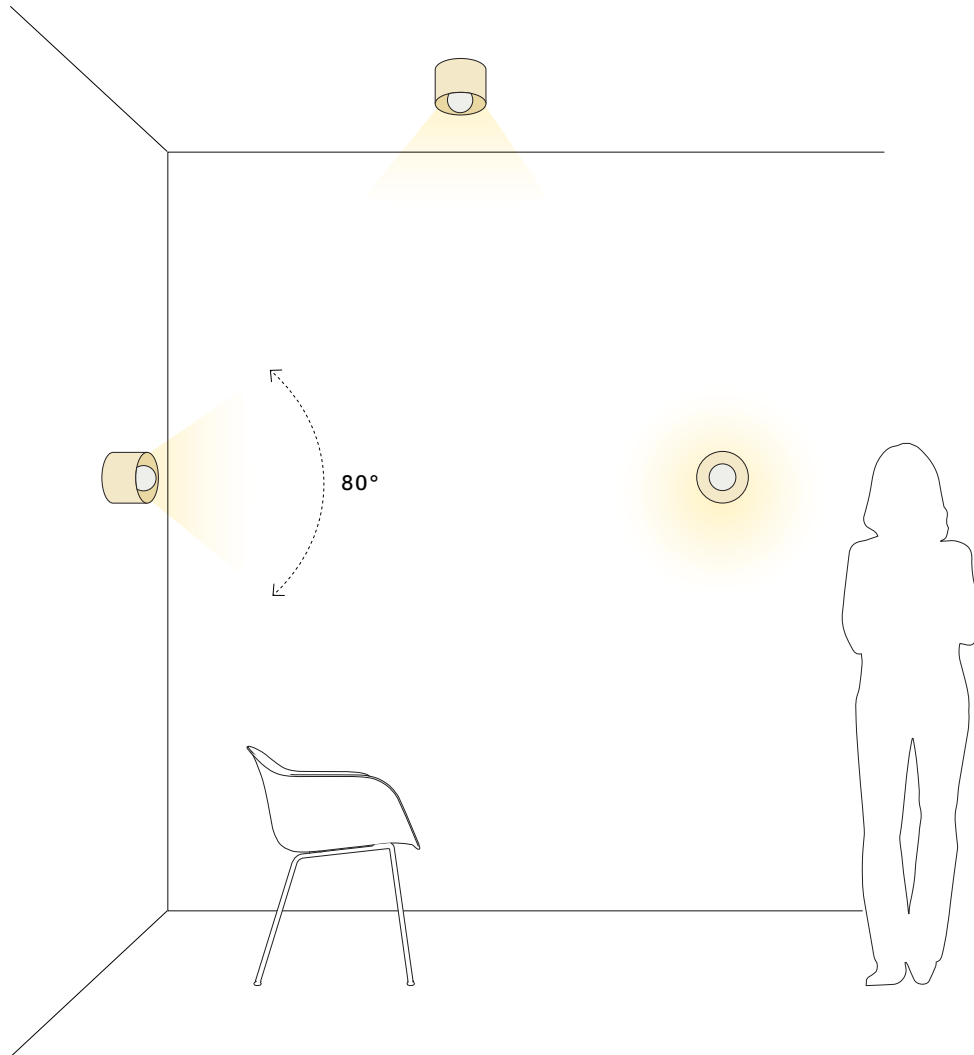
## APPEARANCE

Materials	Brass or glass, maple, powder coated steel
Finishes	See Material Options page
Customize	Finish

## TECHNICAL

Socket / Lamp	E26/E27; bulb: G25 globe
Watt / Volt	Max 75W; line voltage to 300v
Compatibility	Most international
Certification	UL, cUL
Weight	3 lb.

# Spun Sconce



## REC. USE / SPACES

- Hallways
- Kitchen counters
- Bedside
- Commercial Dining
- Flush mount ceiling fixture



### BULB

Sold separately  
G25/G95  
E26/27 base  
60w Max



### COLOR TEMP

2700K  
recommended



### LUMENS SCALE

Variable upon bulb  
used.



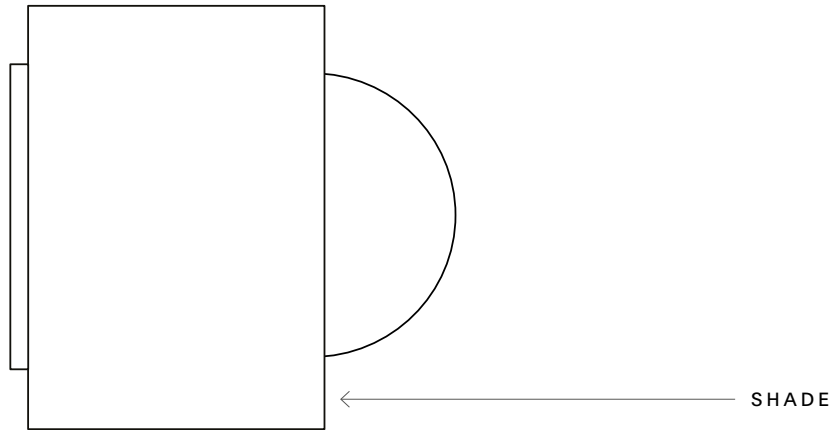
### DIMMING

Dimmable bulb  
required

### OTHER NOTES

Electronic wall  
dimmer required

# Spun Sconce



## MATERIAL OPTIONS

\*A vast array of custom materials and finishes are available for most products upon request.

### SHADE

---



Brass  
(brushed)



Glass  
(frosted)



Black Powder  
Coat (matte)



Glass  
(rust)



Glass  
(cream)

# Spun Sconce

