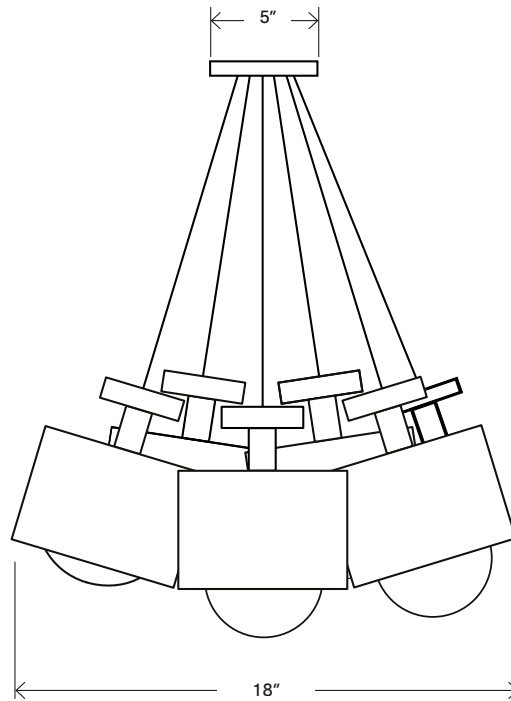


Spun Cluster



6 PIECE CLUSTER

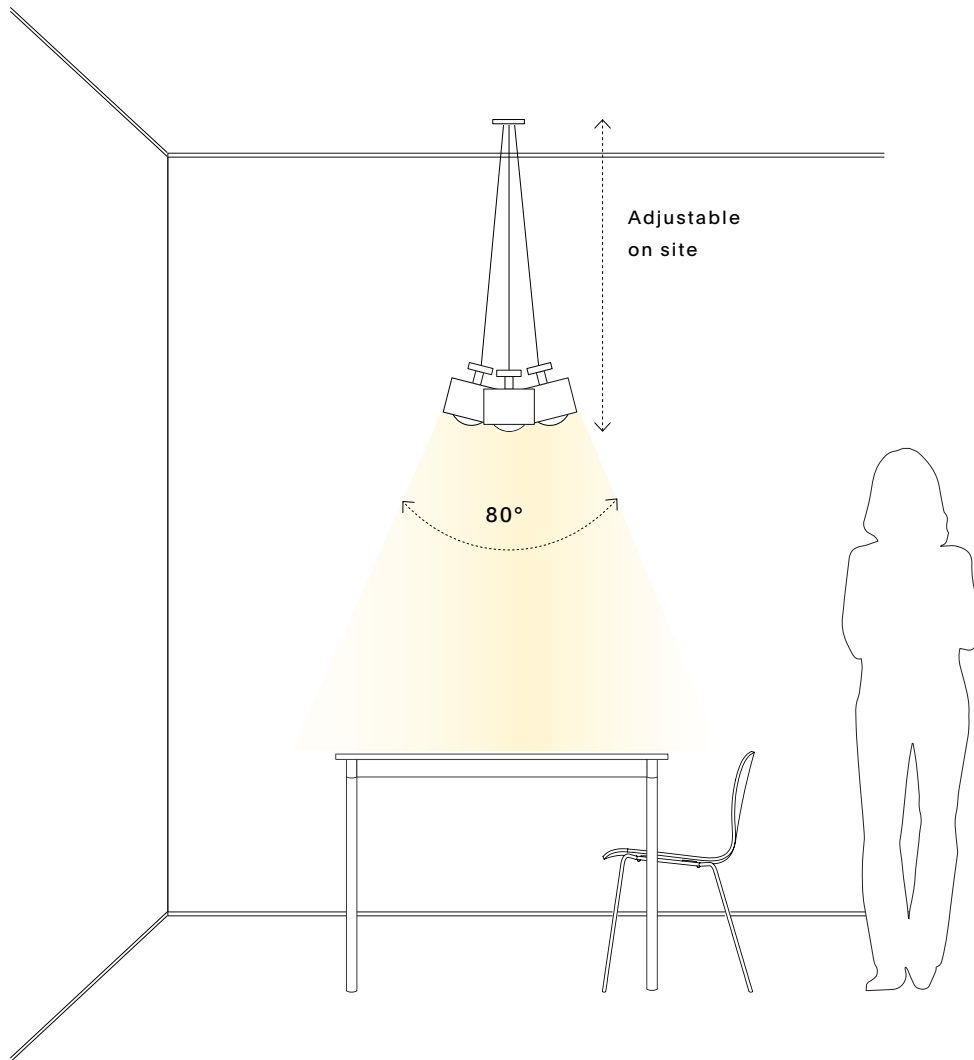
APPEARANCE

Materials	Brass or glass, maple, powder coated steel
Suspension	8' warm dark grey fabric, adjustable
Canopy	5" round matte black (black shade) or matte white (brass and glass shade)
Finishes	See Material Options page
Customize	Finish, cord, configuration

TECHNICAL

Socket / Lamp	E26 ; bulb: G25/G125 globe
Watt / Volt	Max 60W (per lamp); line voltage to 300v
Compatability	Most international
Certification	UL, cUL
Weight	Variable

Spun Cluster



REC. USE / SPACES

- Dining Room
- Living Room (Coffee table)
- Stairwells
- Lobby / Front Desk



BULB

Sold separately
G25/G95
E26/27 base
60w Max



COLOR TEMP

2700K
recommended



LUMENS SCALE

Variable upon bulb
used.



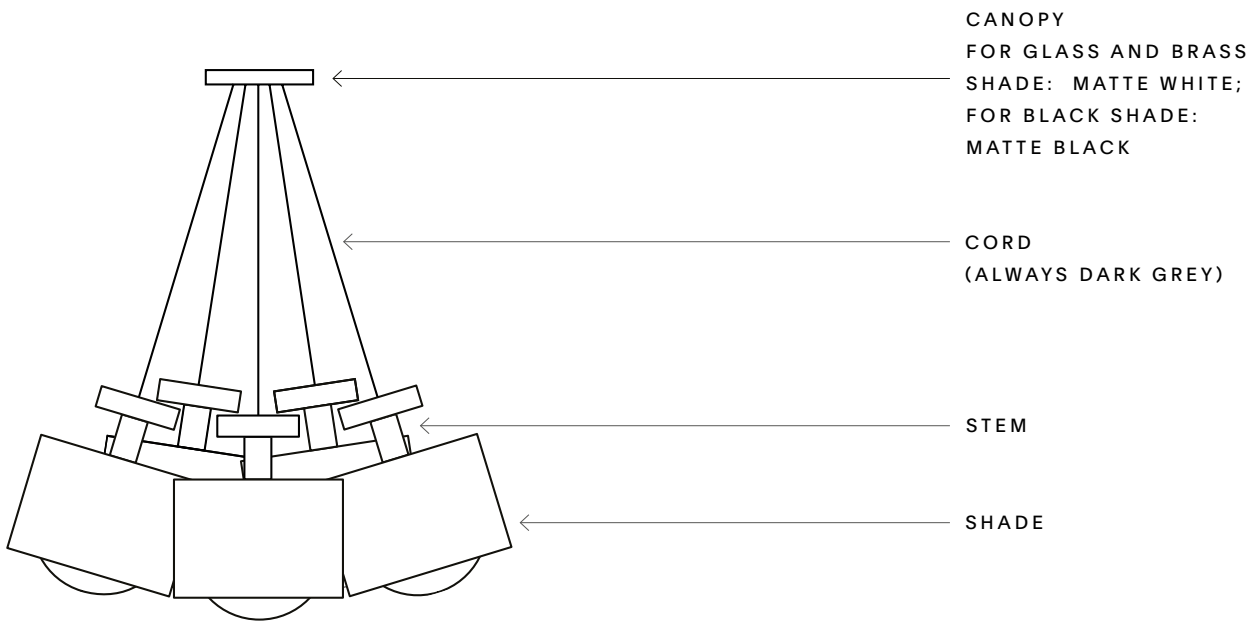
DIMMING

Dimmable bulb
required

OTHER NOTES

Electronic wall
dimmer required

Spun Cluster



MATERIAL OPTIONS

*A vast array of custom materials and finishes are available for most products upon request.

SHADE & STEM COMBINATIONS



Brass
(brushed)

+



Glass
(frosted)

+



Black Powder
Coat (matte)

+



Glass
(rust)

+



Glass
(cream)

+



Copper
Stem



Copper
Stem



Brass
Stem



Brass
Stem



Brass
Stem

Spun Cluster

