

A hand is shown balancing a small, light-colored cone on the top of a table lamp. The lamp has a large, white, spherical shade with horizontal slats. The lamp is on a wooden base. The background is a light, textured surface. The overall aesthetic is minimalist and modern.

LIGHTING

T A B L E L I G H T
-
C O L L E C T I O N

LADIES & GENTLEMEN STUDIO

ABOUT THE COLLECTION

L&G believes that thoughtful pairings of form, function, and materiality can enrich spatial experiences in unexpected ways. In this spirit, their furniture and lighting collection features simple statement pieces intended to quietly add sophistication, utility and playfulness to an interior.

L&G's open and collaborative design approach provides clients with three levels of service depending on the needs of their project:

Standard -

Select items from L&G's collection, thoughtfully composed for optimal pairings of form, fit, and finish.

Tailored -

All standard products can be adapted in a variety of ways. L&G works with clients to create finishes, sizes, and configurations of standard products to complement the character of a space.

Commissioned -

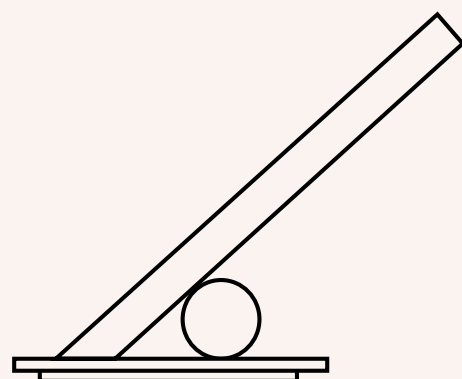
L&G collaborates directly with clients to create original site-specific work. From large scale to small, projects are enriched when L&G's design perspective and creative solutions are combined with a deep understanding of the project's parameters.

ABOUT L&G STUDIO

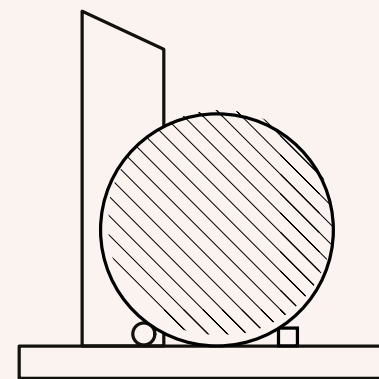
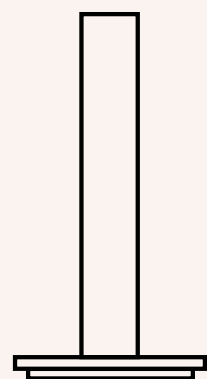
L&G Studio's aesthetic and design philosophy is a balanced blend of warm minimalism, playful austerity, and simple sophistication. Founded by Dylan Davis & Jean Lee in 2010, L&G Studio's playful explorations in materiality blend their resourceful curiosity with the desire to find unexpected pairings of material and function. Their focus is on creating a diverse set of products from small objects, home decor goods, jewelry, to furniture, lighting, and beyond. Their open, multidisciplinary approach to design yields an unexpected, ever-evolving set of ideas and experiments collected from their everyday discoveries, explorations, and surroundings.



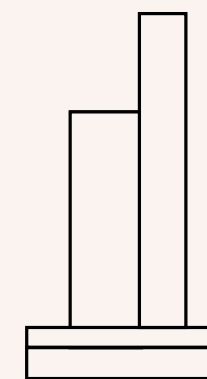
TABLE LIGHT COLLECTION



forward
slash



composium



The table light collection is an exploration of form and function. Where Forward Slash reduces the parts of a task lamp into three basic geometries, Composium uses contrasting materials and shapes to create a three dimensional abstract tableau. In both cases, the results are sculptural interpretations of a table lamp, the function of which is only revealed once the light is illuminated.

Made to order by Ladies & Gentlemen Studio.

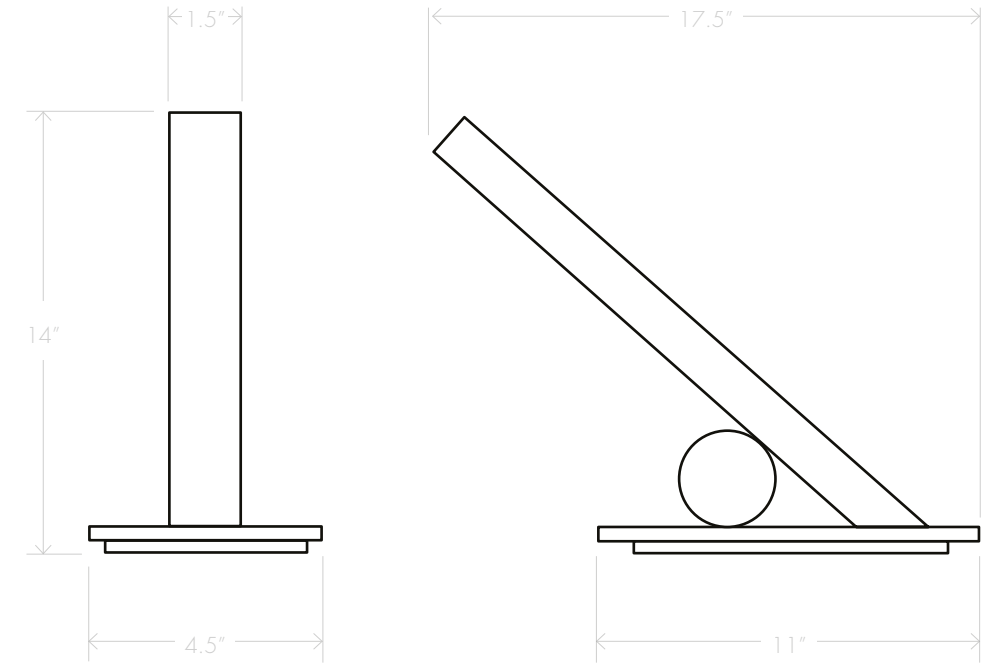
FORWARD / SLASH

LADIESANDGENTLEMENSTUDIO.COM



FORWARD / SLASH

LADIESANDGENTLEMENSTUDIO.COM



- aluminum
- rose anodized
- marble

appearance

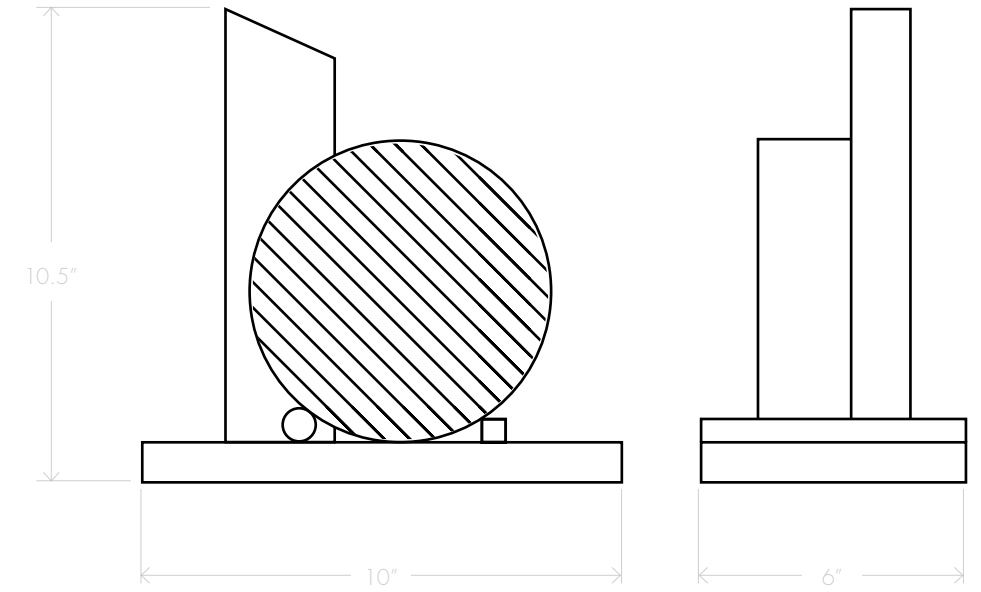
materials carrera marble, aluminum, LED
suspension silver fabric wrapped cord
finishes aluminum with rose anodized hub
customize not available

technical

socket/lamp LED strip
watt/volt 6w; 120v
lamp detail 50000 hour life
compatibility US only
certification none
weight 8 lb.
lead time 8-10 weeks



Solid hand-blown glass by artist/design John Hogan.



- aluminum
- brass
- copper
- oak

appearance

materials oak, copper, brass, hot sculpted glass, aluminum, LED

suspension gold fabric wrapped cord

finishes brushed copper, aluminum, brass

customize not available

technical

socket/lamp LED strip

watt/volt 4w; 120v

lamp detail 2700 kelvin

compatibility US only

certification none

weight 12 lb.

lead time 8-10 weeks

- CONTRIBUTORS -

Photography:
Ladies & Gentlemen Studio
Robin Stein

Print Design:
Sophie Borch-Jacobsen

- CONTACT INFO -

481 Van Brunt Street
#9D
Brooklyn NY 11231
USA

425.610.7408
info@ladiesandgentlemenstudio.com

For sales or product inquiries, please email:
sales@ladiesandgentlemenstudio.com

- WEBSITE -

LADIESANDGENTLEMENSTUDIO.COM