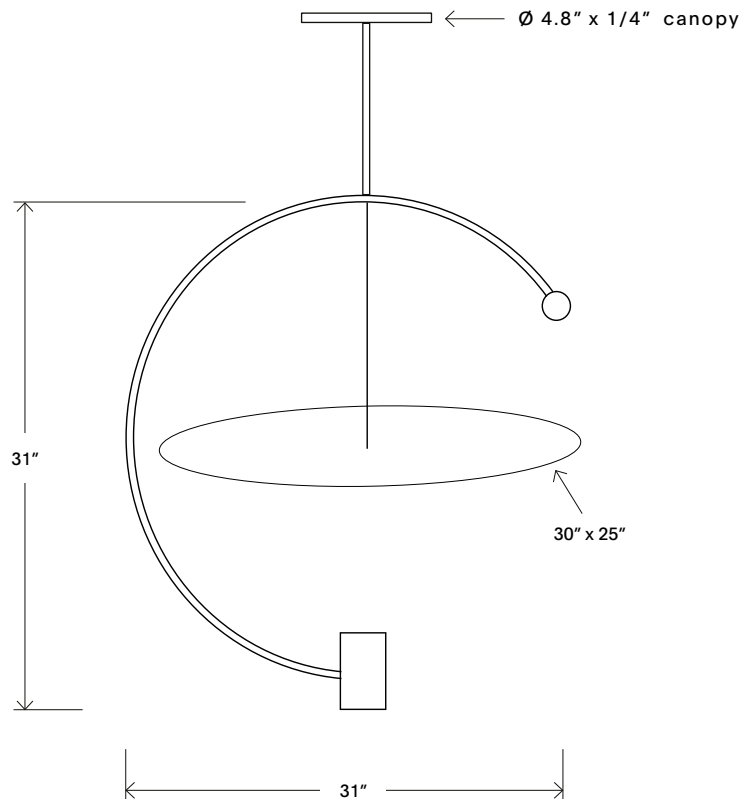


# Float Round



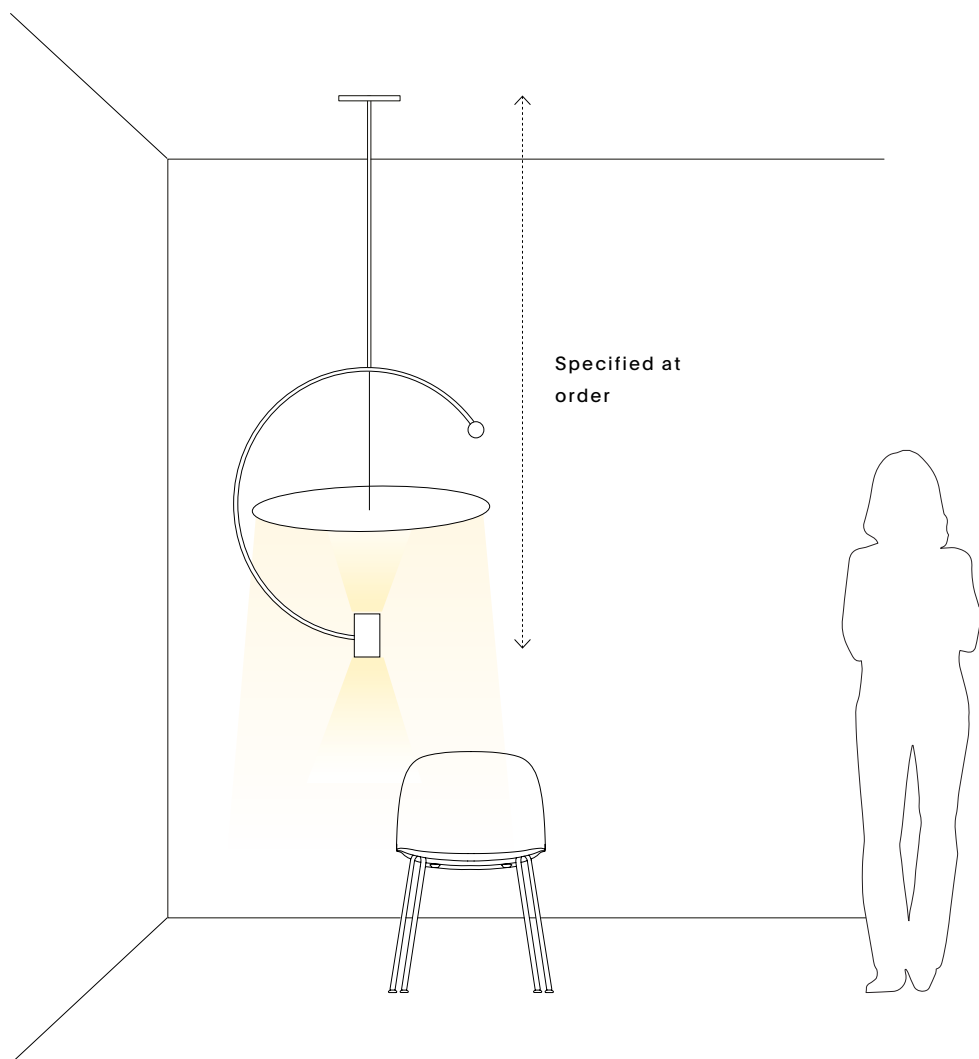
## APPEARANCE

Materials	Aluminum, Steel, Brass
Finishes	See Material Options page
Customize	Finishes, Materials, Colors, Size

## TECHNICAL

Socket / Lamp	Integrated coiled LED strip
Watt / Volt	12W with 24v power supply; specify 110v or 230v
Compatibility	Most North American and European standard systems
Certification	UL
Weight	7 lb.

# Float Round



## REC. USE / SPACES

Ambient/accent lighting  
Living room  
Statement corner  
Lobby / Entrance

## PREPARE FOR INSTALL

Float is a low voltage fixture.  
Plan to accommodate the power supply prior to installation.

Allow for storage of power supply in the electrical box or elsewhere according to local guidelines.

Power supply size: 2.2" x 1.3" x .85"

Power supply model:  
120V: LTF TA40WD24LED  
220V: LTF TU40WD24LED

Dimmer Compatibility: ELV dimmable.

Additional specifications available by searching for the model number at [lfttechnology.com](http://lfttechnology.com).



### BULB

Integrated LED



### COLOR TEMP

2700K



### LUMENS SCALE

800lm



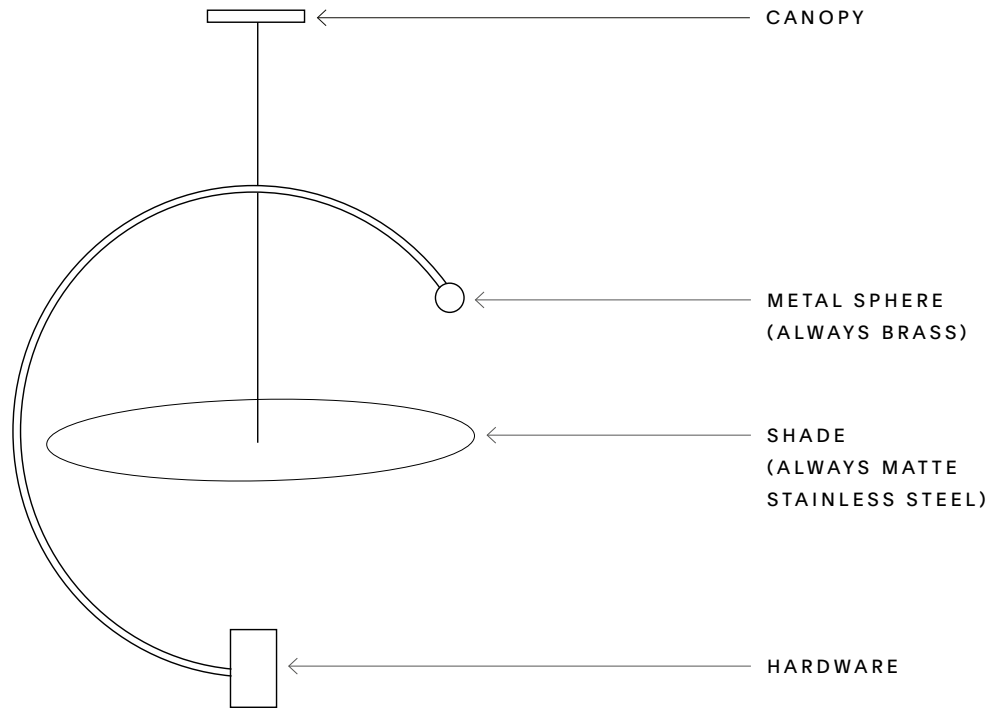
### DIMMING

Electronic low voltage (ELV)

### OTHER NOTES

Electronic wall dimmer required

# Float Round



## MATERIAL OPTIONS

\*A vast array of custom materials and finishes are available for most products upon request.

## HARDWARE

---



Brass  
(brushed)



Blackened  
Brass

# Float Round

