

MONOLITH CIRCULAR DINING TABLE

MONOLITH CIRCULAR/SQUARE DINING TABLE

MODEL NO: 10370X01

Hand cast, thick glass crystal on sculpted, patinated
ombré metal base

AS SHOWN (IN PHOTO)

Tapered base with circular top - approx. dimensions

60"W x 60"D x 31"H

Glass - clear

Metal - ombré brass

DIMENSIONS

Available in eighteen sizes:

Rounded Base

36"W x 30"H

42"W x 30"H

48"W x 30"H

60"W x 30"H

66"W x 30"H

72"W x 30"H

Squared Base

36"W x 30"H

42"W x 30"H

48"W x 30"H

60"W x 30"H

66"W x 30"H

72"W x 30"H

Tapered Base

36"W x 30"H

42"W x 30"H

48"W x 30"H

60"W x 30"H

66"W x 30"H

72"W x 30"H

AVAILABLE FINISHES

Glass Crystal Color - clear crystal, olivine*, smoke*, topaz*

Metal - natural metal, tarnished metal, aged blackened metal,
natural brass*, tarnished brass*, aged blackened brass*,
ombré metal*, ombré brass*, brushed to polished ombré metal*,
brushed to polished ombré brass*

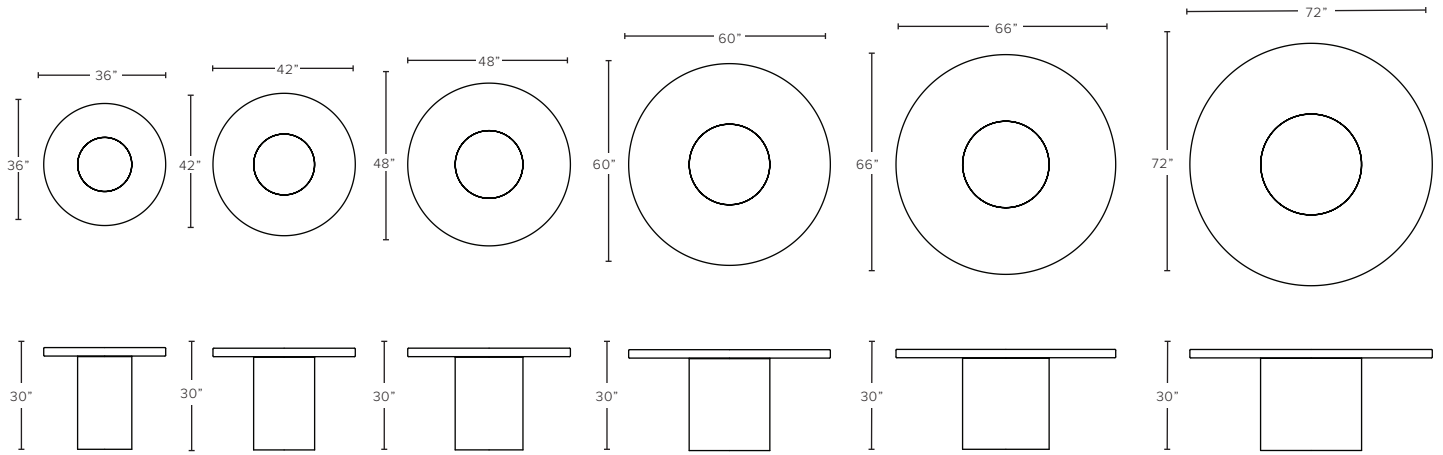
*premium finish - refer to price guide for additional charges

ADDITIONAL NOTES

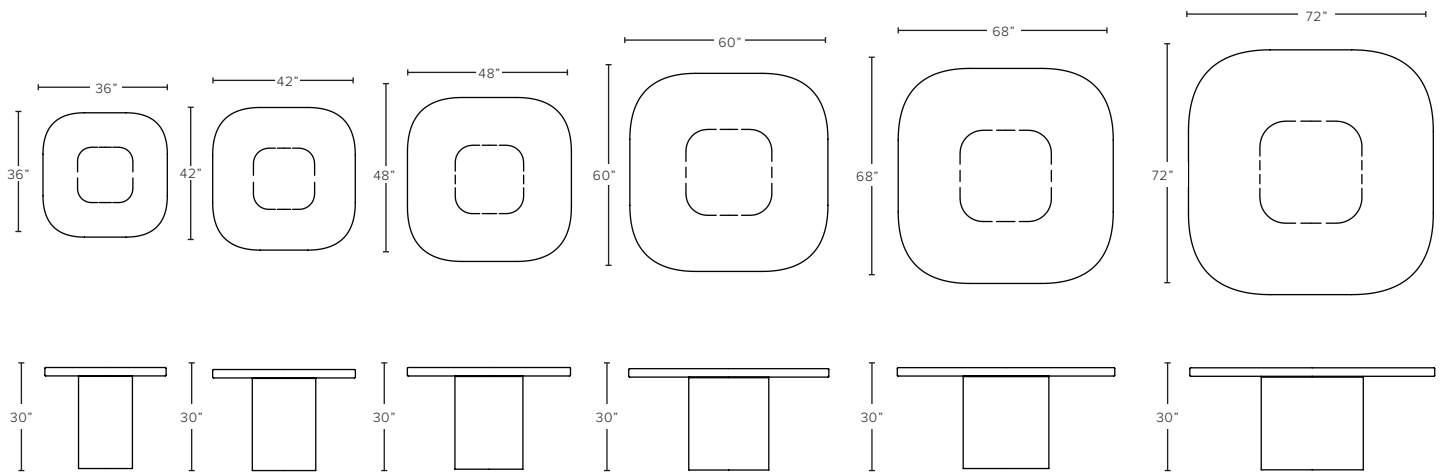
General lead time for standard finishes is 16-20 weeks. Updated lead
times provided at time of formal quoting. Tables weigh between 300 and
1250 lbs. Installation must be performed by a qualified installer - please
contact us for additional information.



ROUNDED BASE



SQUARED BASE



TAPERED BASE

