

MELT SWAGGED CHANDELIER

MELT SWAGGED CHANDELIER

MODEL NO: 10390X01

Hand blown, sculpted glass crystal seemingly melting and falling through woven rope cordage. Slackened cordage swags from central canopy to each pendant.

AS SHOWN (IN PHOTO)

5 glass pieces - approx. dimensions 84"W x 36"D
Glass - soft etched clear
Metal - natural metal
Cordage - black

DIMENSIONS

Available in three sizes:

3 glass pieces - approx. dimensions 60"W x 30"D
5 glass pieces - approx. dimensions 84"W x 36"D
7 glass pieces - approx. dimensions 108"W x 60"D

Canopy - 5" W x 1.5"H

Large Glass - 14"W x 12"H
Small Glass - 11"W x 9"H

glass dimensions may vary slightly due to sculpted process

CONFIGURATIONS

Custom configurations and glass arrangements available - please contact us for additional information.

ELECTRICAL

Large Glass - 40W incandescent bulb per socket included
4W LED alternative available

Small Glass - 25W incandescent bulb per socket included
4W LED alternative available

AVAILABLE FINISHES

Glass Crystal - soft etched clear, soft etched olivine*, soft etched opaline*, soft etched smoke*, soft etched topaz*

Hand etched glass has naturally variegated surface

Metal - natural metal, tarnished metal, aged blackened metal, natural brass*, tarnished brass*, aged blackened brass*

Cordage - black, gold, silver

*premium finish - refer to price guide for additional charges

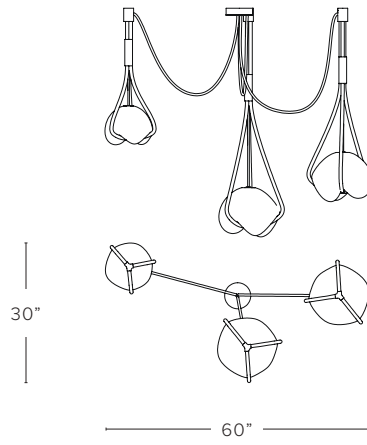
ADDITIONAL NOTES

General lead time for standard finishes is 8-10 weeks. Updated lead times provided at time of formal quoting. This fixture has minimum OAD requirements - please refer to price list for additional information.

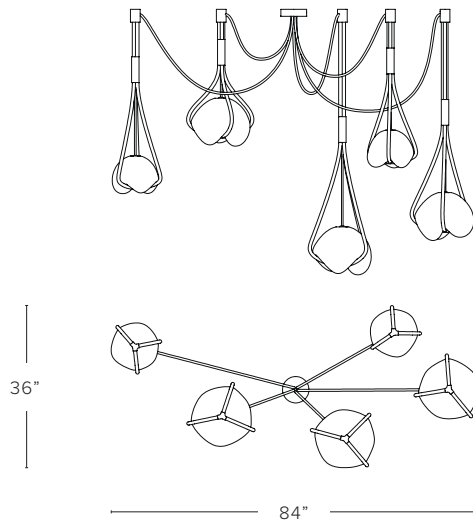
UL listed



3 PIECE



5 PIECE



7 PIECE

