



Brass Arundel Surface Mount



Technical Specifications

Materials	Brass
Product weight	3 lbs
Lead time	4 weeks
Bulbs included (3)	E12 / 120V / 4.0 W / 220 lm 2200 K - 3000 K / warm on dim
Dimmer	TRIAC
Max wattage	30 W
Certifications	UL listed, damp-rated

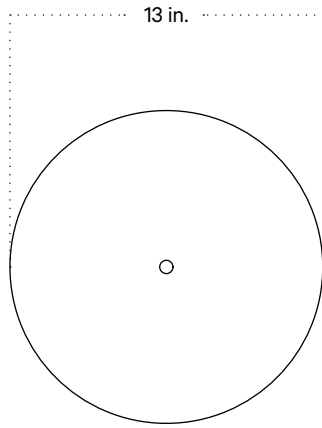


Notes

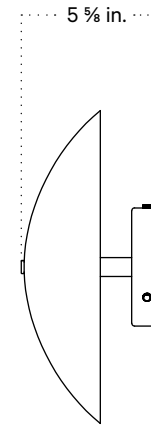
1. This fixture can be installed on a wall or ceiling.
2. All Brass fixtures are hand-finished to order and will ship in 4 weeks.

Updated August 21, 2023

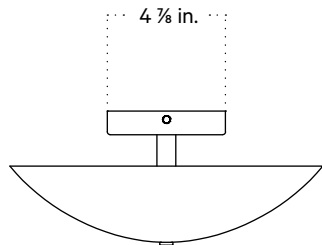
Front View



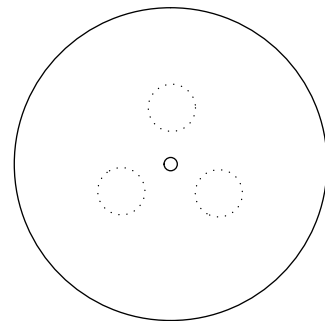
Side View



Front View: Ceiling Installation



Bulb Placement



Brass Arundel Surface Mount, Plug-in



Technical Specifications

Materials	Brass
Product weight	3.5 lbs
Lead time	4 weeks
Bulbs included (3)	E12 / 120V / 4.0 W / 220 lm 2200 K - 3000 K / warm on dim
Dimmer	Optional in-line dimmer
Cord length	16 feet
Max wattage	30 W
Certifications	UL listed, damp-rated

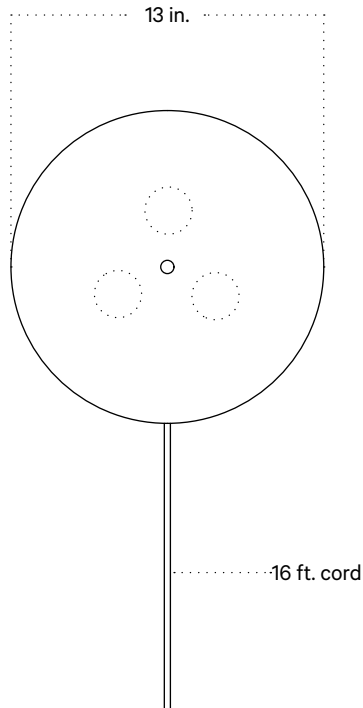


Notes

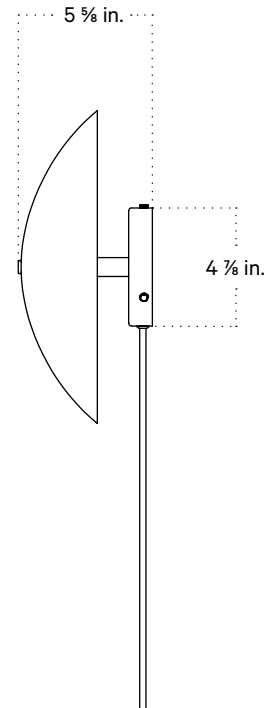
1. This fixture can be ordered with an on/off switch or an inline dimmer; see additional details below.
2. The plug-in version of this fixture with an inline on/off switch will be supplied with a Porcelain I E12 / 110v / 3.0 W / 180 lm / 2700 K bulb.
3. Fixtures ordered with brass hardware and an on/off switch come with a 10-foot chocolate brown fabric cord. The on/off switch is located 8 feet from the plug.
4. Fixtures ordered in brass hardware and an inline dimmer have a 16-foot chocolate brown fabric cord. The dimmer switch is our black painted metal finish and is located 8 feet from the plug.
5. Custom cord color can be specified for an additional cost; please inquire.

Updated August 21, 2023

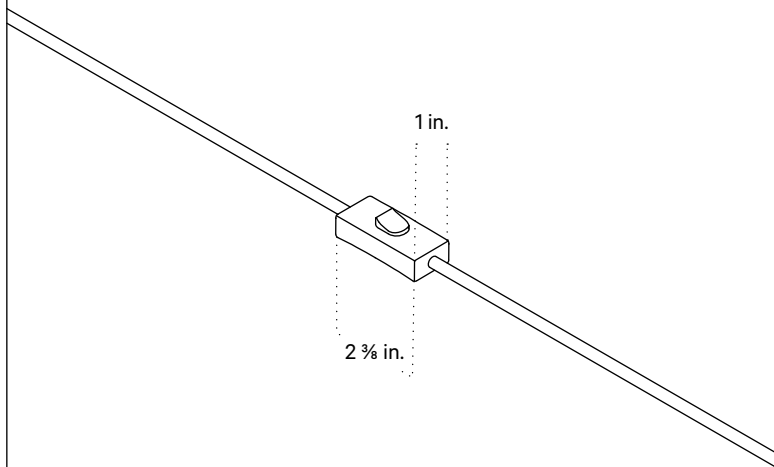
Front View



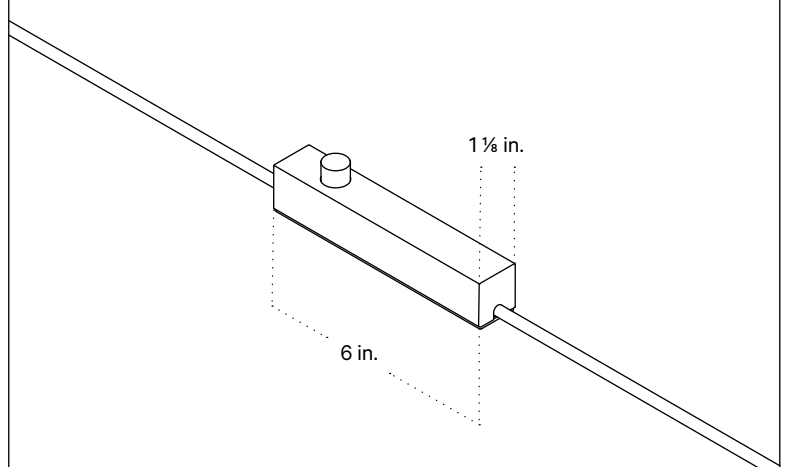
Side View



On/off Switch Detail



Inline Dimmer Switch Detail



Finish Options

Brass, glass, and ceramic samples made or finished by hand may exhibit variability. Available for purchase at incommonwith.com/finishes.

Brass



Brass

Patina Brass

Blackened Brass

Pewter