



GABRIEL SCOTT

EST. 2012



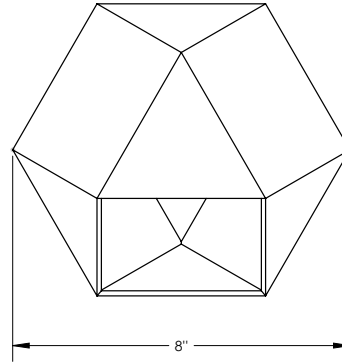
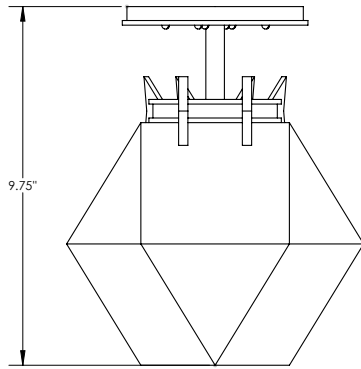
WELLES
Glass Single
Head Sconce

in Satin Brass &
Alabaster White

The Welles blown glass diffuses a soft light filtered through its translucent facets. A polygonal shape with polished sharp edges, the Welles is a glistening gem that cascades as a single pendant or as a body of staggering pendants.

The precious Welles Blown Glass is available in smoked gray or alabaster white, and can be mixed or matched with its complementary black, nickel, brass, copper and bronze metal.

All Gabriel Scott pieces are handmade in Canada.



SPECIFICATIONS

Standard Finishes:

Blown Glass: Alabaster White or Smoked Gray

Metal: Satin Nickel, Satin Copper, Satin Brass,
Satin Bronze or Blackened Steel

Specifications:

Dimensions: 8" x 7" x 9.75" from wall

20 cm x 18 cm x 25 cm from wall

Weight: 5 lbs / 2.27 kg

Light Source: 12V 6 Watt LED (included)

LED Drivers: CCT9W500 - 110V
UVC1225TD - 220V

Standard Lead time: 8 - 10 weeks

Canopies:

Standard Canopy: 5" x 0.5" / 12 cm x 1.3 cm

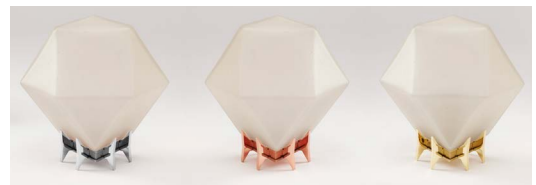
Deep Canopy: Dimensions on request.

Custom finishes available upon inquiry.

Made and assembled in Canada. Item is UL & CE listed.



STANDARD FINISHES



Alabaster White
& Satin Nickel

Alabaster White
& Satin Copper

Alabaster White
& Satin Brass



Alabaster White
& Satin Bronze

Alabaster White
& Blackened Steel



Smoked Gray
& Satin Nickel

Smoked Gray
& Satin Copper

Smoked Gray
& Satin Brass



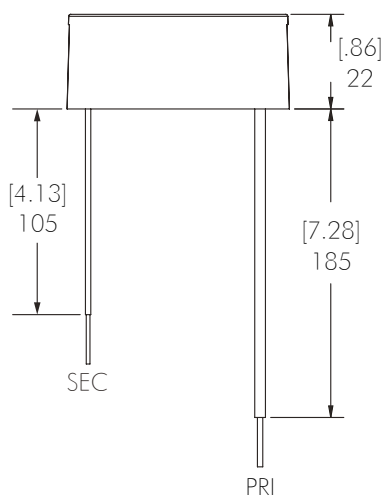
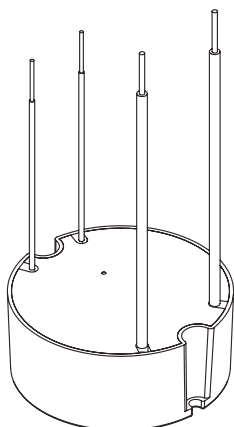
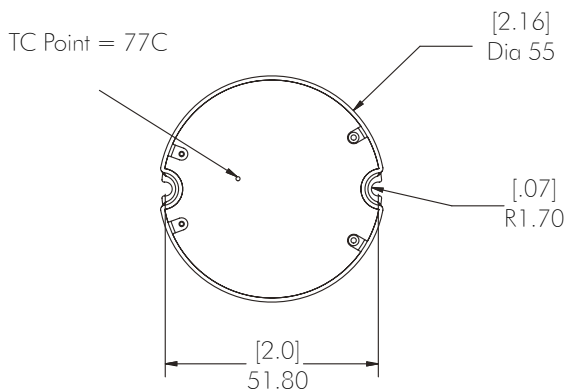
Smoked Gray &
Satin Bronze

Smoked Gray &
Blackened Steel

LED DRIVER

CCT9W500 - 110V

Magnitude's CCT Series dimmable Constant Current LED driver is class 2 rated and designed to operate with MLV, ELV and CL dimmer switches (forward phase/ reverse phase / TRIAC). The driver's low profile case allows OEM's to easily incorporate it into Luminaires. A 5-year warranty is a standard on all of Magnitude's products.



Features:

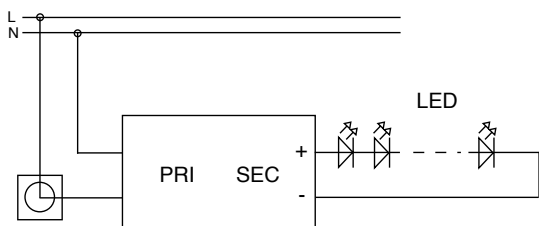
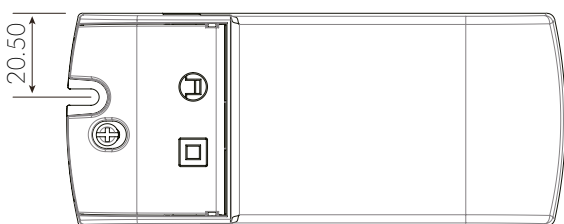
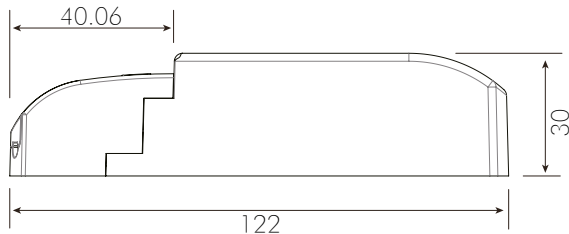
- Dimmable with MLV, ELV and CL dimmer switches (forward phase / reverse phase / TRIAC)
- Dim down to 5%
- Super compact case
- Class 2
- UL 8750
- Complies with FCC Part 15B
- Auto-Reset protection for short circuits, over-voltage and over-temperature

Specifications:

| | |
|-------------------------------|---|
| Input voltage | 100 - 120VAC |
| Max output voltage | 9W |
| Output voltage range | 12 - 18.5 VDC |
| Output current range | 500mA Nominal - 525 Max |
| Rated output power | 6 - 9.25W |
| Efficiency at max load | > 82 % |
| THD at max load | < 20 % |
| Power factor at max load | > 0.9 |
| Environment protection rating | IP21 - Dry and damp location |
| Tc case max | 77c |
| Ambient op. temp. | -20c ~ 60c |
| Operating humidity | 10% - 60% |
| Lifetime | 50KHrs |
| Over voltage protection | Auto recovery |
| Open circuit protection | Max output voltage |
| Short circuit protection | Auto recovery |
| Surge protection | 1KV |
| Weight | 82g |
| Dimensions (inches) | 2.16" D x 0.86" H |
| Dimensions (cm) | 5.5cm D x 2.2cm H |
| Placement | Designed to fit in standard 4" junction box |

LED DRIVER

UVC1225TD - 220V



Features:

- Constant voltage output
- Fully isolated
- Short circuit, over current and over voltage protection up to 80% efficient
- Fire resistant plastic cover
- Compatible with leading and trailing edge dimmers
- 10 ~ 100% Dimming Load
- 10 ~ 100% Dimming range
- Mains dimmable
- Push terminals for easy installation
- IP44 design for indoor use
- 2 years warranty

Specifications:

| | |
|-----------------------|---|
| Voltage | 220V ~ 240VAC |
| Frequency | 50-60 Hz |
| Current | 0.2A |
| Inrush Current | <2.5A |
| Power Factor | 0.95 |
| Load Voltage | 12V |
| No Load Voltage | 12V |
| Current | 2.08Av |
| Power | 25W |
| Power Factor | > 0.95 |
| Efficiency | 80% |
| Over Load | Auto Recovery |
| Short Circuit | Auto Recovery |
| Over Voltage | Auto Recovery |
| Operating Temperature | -20 ~ +50°C |
| Storage Temperature | -40 ~ +70°C |
| Relative Humidity | 5 - 95% |
| Safety Standard | Design refers to EN60598, EN61547, ENV55024, EN61000-4-2, 3, 4, 6, 8,11, EN61000-3-2, EN61000-3-3 |
| EMI Standard | Meets Emissions to EN55022, EN55015 Class B |
| Lifetime | 50K hrs at TC max (70c) |
| Weight | 110g |
| Dimensions (inches) | 4.8" x 2" x 1.2" |
| Dimensions (cm) | 12.2 cm x 5.2 cm x 3 cm |