



GABRIEL SCOTT

EST. 2012



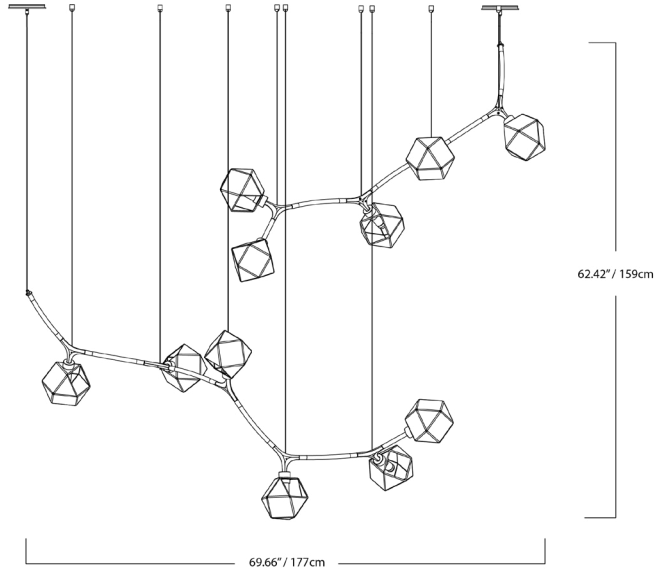
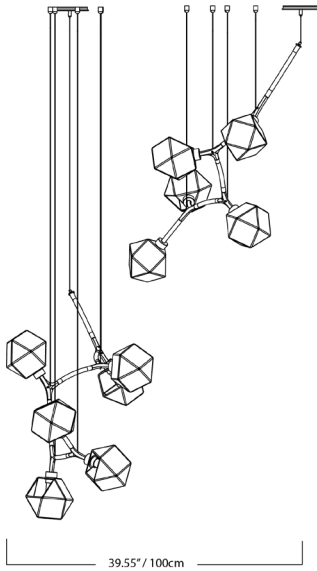
## Welles Reimagined By Michelle Gerson

in Satin Brass & Alabaster White

**MICHELLE  
GERSON  
INTERIORS**

New York designer Michelle Gerson creates modern, eclectic interiors through combining luxurious furnishings designed for the eye and built for comfort with deco and mid-century elements.

Inspired by the current climate and post pandemic mood, Michelle Gerson's new Welles design is uplifting and joyful, embodying a sense of artistry. She turned to nature, bringing in a floral element to represent growth and bloom, alluding to the rebirth of a classic Gabriel Scott design. The softer, organic lines juxtapose perfectly with the harder geometric shape of the Welles.



## SPECIFICATIONS

### Standard Finishes:

Blown Glass: Alabaster White

Metal: Black Steel, Satin Nickel,  
Satin Brass, Satin Copper or Satin Bronze

### Specifications:

Single module: x 11

Dimensions: 69.66" x 39.55" x 62.42" H + Drop

177 cm x 100 cm x 159 cm + Drop

Weight: 24.7 lbs / 11.2 kg

Light Source: 12V 6 Watt LED (included)

LED Drivers: E60L12DC-KO - 110V  
UVC1250TD - 220V

### Cables & Canopies:

Cable Length: 96" / 244 cm Drop  
Adjustable upon installation

(increased cable-lengths available upon request)

Standard Canopy: 5" x 0.5" / 12 cm x 1.3 cm

Deep Canopy: Available upon request.

Custom finishes available upon inquiry.

Made and assembled in Canada.

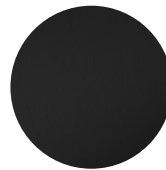
## STANDARD FINISHES

### Blown Glass:



Alabaster White

### Metal:



Black Steel



Satin Nickel



Satin Brass



Satin Copper



Satin Bronze