



GABRIEL SCOTT

EST. 2012



MARX

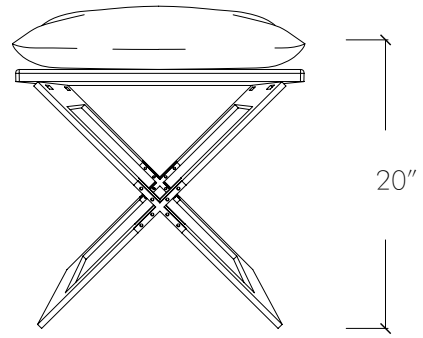
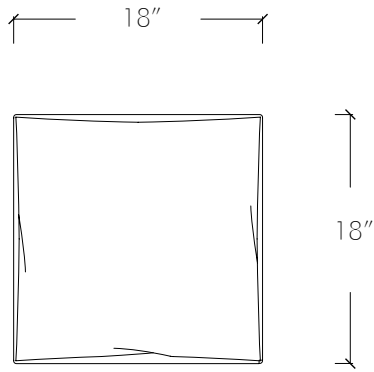
Stool

in Blackened Steel &
Charcoal Gray Herringbone

Blending components of the brand's signature collections, the Marx stool brings together a geometric metal x-base with a lightweight upholstered cushion top. A versatile piece, the Marx stool can be used in endless functions and contexts to add a touch of contemporary design to any style and space.

The base is available in black steel with distinct brass hardware, and in full brass or full copper options; cushion available in standard heather-gray or charcoal gray herringbone fabric. COM & COL options available.

All Gabriel Scott pieces are handmade in Canada.



SPECIFICATIONS

Standard Finishes:

Metal: Blackened Steel, Satin Nickel,
Satin Brass or Satin Copper

Fabric Upholstery: Heather Gray
or Charcoal Gray Herringbone

Specifications:

Dimensions: 18" x 18" x 20" H

46 cm x 46 cm x 51 cm H

Weight: 35 lbs / 16 kg

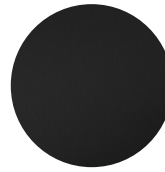
Standard lead time: 8 - 10 weeks

Custom finishes available upon inquiry.

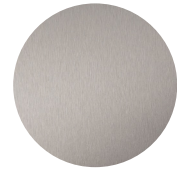
Made and assembled in Canada.

STANDARD FINISHES

Metal:



Blackened Steel -
Base/Hardware



Satin Nickel -
Base/Hardware



Satin Brass -
Base/Hardware



Satin Copper -
Base/Hardware

Fabric Upholstery:



Heather Gray -
Herringbone



Charcoal Gray -
Herringbone