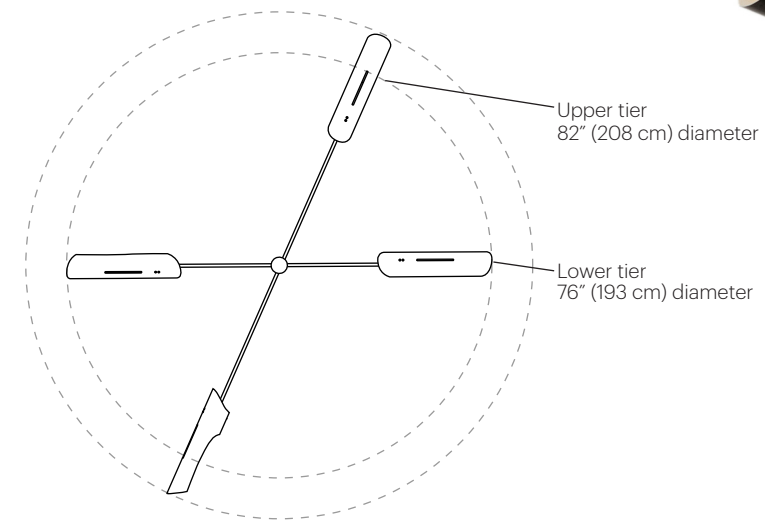
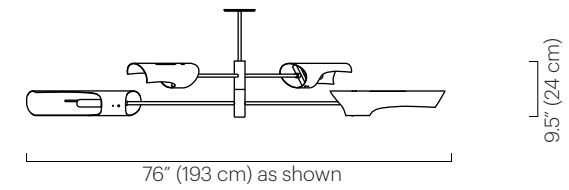


## Torroja Tiered Pendant, 2 Tier

TECHNICAL SPECIFICATIONS

No. 425



### Description

The Torroja Tiered Pendant features a plated frame customizable by the number and length of the tiers. Each tier consists of two shades. Tiers scissor open and are adjustable on site. Shades rotate 320° to cast light directionally.

### Materials

Shades: Powder coated aluminum  
Frame: Plated steel  
Ceiling mount: Powder coated steel  
Drop: Plated steel

### Shade Color

- Black Satin (ivory satin interior)
- Ivory Satin (ivory satin interior)
- White Satin (white satin interior)

Custom colors available.

### Finish

- Polished Nickel
- Brushed Brass
- Oil Rubbed Bronze

Custom finishes available.

### Lamping (Two shades per tier)

120V: (2)T10 tubular incandescent medium base 60W max  
220-240V: (2)E27 base (tubular 32mm suggested) 60W max  
Note: Bulbs not included.  
Halogen bulbs not recommended.

### Tala T38 LED Bulb

(Available per request)  
110-120V-/ 6W/ 420 lm/ 3000K  
T38, E26  
3.7" L x 4.7" ø  
ETL

### Wattage

120 watts max per tier

### Weight

13 lbs (6 kg)

### Remarks

Specify drop length.  
Fixed drop not adjustable on site.  
Each tier has two shades.  
Specify tier lengths.  
Ceiling mount consistent with shade color.  
Additional weight support recommended for junction box installation.  
Indoor use and dry locations only.

### Dimensions

Standard tier diameters:  
52" / 65" / 76" / 82"  
(132 cm / 165 cm / 193 cm / 208 cm)  
or specify custom tier diameters.  
Min. length of tier: 48" (122 cm)  
Max. length of tier: 120" (305 cm)  
Shade: 4" Ø x 18.5" L  
(10 Ø x 47 cm L)  
Ceiling mount diameter: 5" (13 cm)  
Minimum overall height:  
11" (28 cm)