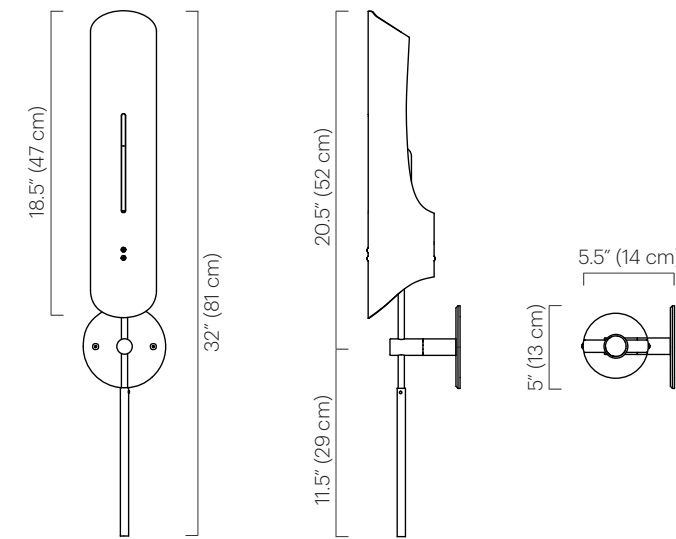




Torroja Sconce - Single

TECHNICAL SPECIFICATIONS

No. 222



Description

The Torroja Sconce features two arms on opposing sides affixed to a powder coated steel wall mount. A single shade is balanced upright with a counterweight. The shade swivels 320° to cast light directionally.

Materials

Shade: Powder coated aluminum
 Wall mount: Powder coated steel
 Hardware: Plated brass
 Arm: Plated steel
 Counterweight: Powder coated steel

Mount & Shade Color

- Black Satin (ivory satin interior)
- Ivory Satin (ivory satin interior)
- White Satin (white satin interior)

Custom colors available.

Finish

- Polished Nickel
- Brushed Brass
- Oil Rubbed Bronze

Custom finishes available.

Lamping

120V: T10 tubular incandescent medium base
 60W max
 220-240V: E27 base (tubular 32mm suggested) 60W max
 Note: Bulbs not included.
 Halogen bulbs not recommended.

Tala T38 LED Bulb

(Available per request)
 110-120V-/ 6W/ 420 lm/ 3000K
 T38, E26
 3.7" L x 4.7" ø
 ETL

Wattage

60 watts max

Weight

7lb (3.2 kg)

Remarks

UL Listed.
 Hardwired is standard.
 Indoor use and dry locations only.
 Wall mount consistent with shade color.
 Counterweights are black.

Dimensions

5.5" D x 5" W x 32" H
 (14 D x 13 W x 81 cm H)
 Wall mount diameter: 5" (13 cm)
 Shade: 4" Ø x 18.5" L
 (10 Ø x 47 cm L)