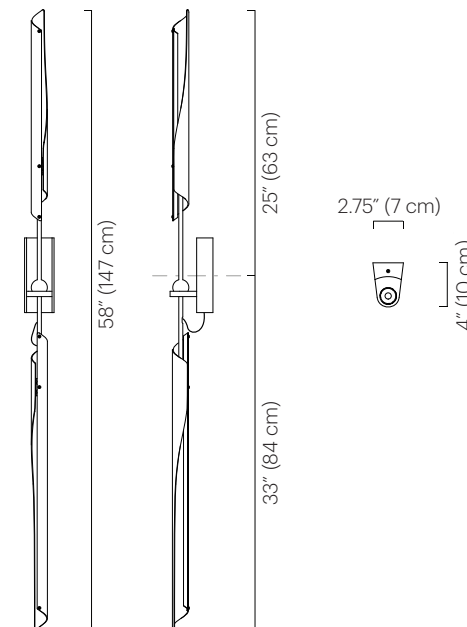




OTTO Sconce

TECHNICAL SPECIFICATIONS

No. 215



Description

The OTTO Sconce is comprised of two different sized OTTO shades mounted on opposite ends of the arm. Each shade contains a dimmable LED source and rotates 300° to cast light directionally. Available in three sizes.

Materials

Shade: Powder coated aluminum
 Wall mount: Plated brass
 Frame: Plated brass
 Hardware: Plated and polished brass

Shade Color

- Black Satin (ivory satin interior)
- Grey Gloss (ivory satin interior)
- Ivory Satin (ivory satin interior)
- White Satin (white satin interior)

Custom colors available.

Finish

- Brushed Brass
- Polished Nickel
- Oil Rubbed Bronze

Custom finishes available.

Lamping

LED: Warm white 2700K
 Lumens: 1340 (equivalent to two 60W incandescent bulbs)
 CRI: 80+
 LED power source: 40W 24V phase dimmable class 2
 50,000 LED life hours (approx.)

Power Supply

60W 24V
 For 120V areas: dimmable Class 2 included in canopy.
 For 220-240V areas: remote power supply only. Not included.

Dimmer Compatibility

Dimmable with MLV/TRIAC (leading edge) switch

Voltage / Wattage

24 v / 22 watts

Weight

10 lbs (4.5 kg)

Remarks

ADA compliant depth.
 Hardwired is standard.
 Black exterior electrical cord is standard.
 Custom arm length available 45" - 88" (114 - 224 cm)
 Hardware finish consistent with frame finish.
 Indoor use and dry locations only.
 Wall mount designed to fit 2" x 4" vertical switch box only.

Dimensions

4" D x 2.75" W x 58" H (10 D x 7 W x 147 cm H)
 Bracket: 4" D x 2.75" W x 7" H (10 D x 7 W x 18 cm H)
 Top shade: 1.5" Ø x 20" L (4 Ø x 51 cm L)
 Bottom shade: 1.5" Ø x 28" L (4 Ø x 71 cm L)