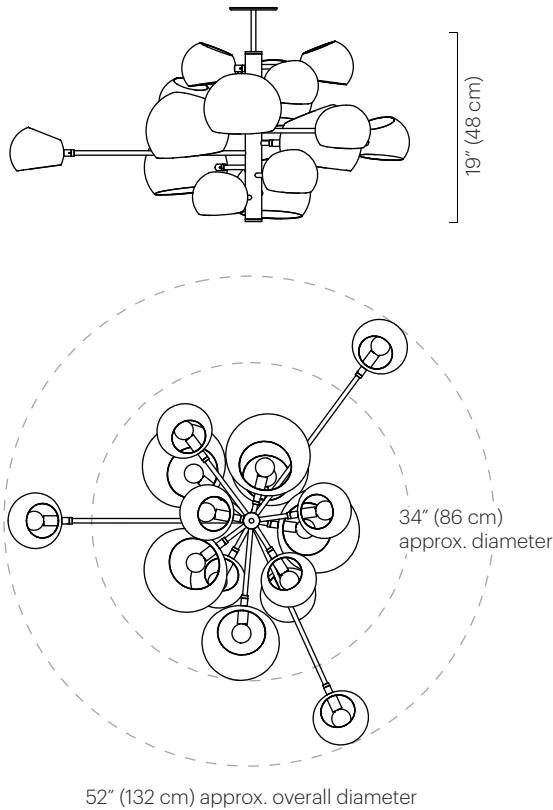


Kopra Burst Pendant

TECHNICAL SPECIFICATIONS

No. 433



Description

The Kopra Burst is a balanced fixture comprised of fifteen Boi shades of various sizes. The fixture is available fully powder coated or with a plated frame and powder coated shades. Each shade rotates 320° to cast light directionally.

Materials

Shades: Powder coated steel
Frame: Powder coated or plated steel
Ceiling mount: Powder coated steel
Drop: Powder coated or plated steel

Mount & Shade Color

- Black Gloss (black gloss interior)
- Grey Gloss (grey gloss interior)
- White Gloss (white gloss interior)

Frame

- Brushed Brass
- Polished Nickel
- Black Gloss
- Grey Gloss
- White Gloss

Custom colors and finishes available.

Lamping

120V: (15)G16.5 globe bulb candelabra base
40W max, 20W recommended
220-240V: (15)E14 base golf ball
40W max
Note: Bulbs not included.
Halogen bulbs not recommended.

Wattage

600 watts max

Weight

25 lbs (11.3 kg)

Remarks

Specify drop length.
Fixed drop not adjustable on site.
Arm lengths are fixed.
Additional weight support recommended for junction box installation.
Indoor use and dry locations only.

Dimensions

Approx diameter: 52" (132 cm)
Ceiling mount diameter: 5" (13 cm)
Minimum overall height: 22" (56 cm)

**David
Weeks
Studio**



STUDIO
1818 Atlantic Ave.
Brooklyn, NY 11233
212 966 3433

sales@DavidWeeksStudio.com
www.DavidWeeksStudio.com