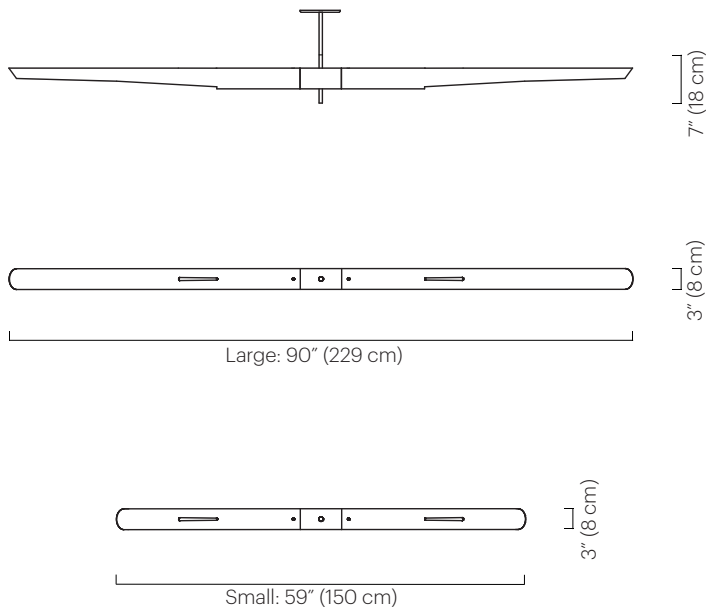


Hennen Pendant

TECHNICAL SPECIFICATIONS

No. 431



Description

The Hennen Pendant is comprised of two shades suspended from a central drop. The Solo is offered in two sizes, each shade can be set to cast light up or down. This fixture also works well when installed in multiples.

Materials

Shades: Powder coated aluminum
Frame: Plated steel & aluminum
Ceiling mount: Powder coated steel
Drop: Plated steel

Shade Color

- White Gloss (white gloss interior)
- Black Gloss (black gloss interior)
- Grey Gloss (grey gloss interior)

Custom colors available.

Finish

- Polished Nickel

Lamping

120V: (2)T10 incandescent tubular medium base 60W max
220-240V: (2)E27 base (tubular 32mm suggested) 60W max
Note: Bulbs not included. Halogen bulbs not recommended.

Wattage

120 watts max

Weight

10 lbs (4.5 kg)

Remarks

Specify drop length.
Fixed drop not adjustable on site.
Specify fixture length.
Ceiling mount consistent with shade color.
Additional weight support recommended for junction box installation.
Indoor use and dry locations only.

Dimensions

Fixture length options:
Large: 90" (229 cm)
Small: 59" (150 cm)
Ceiling mount diameter: 5" (13 cm)
Minimum overall height: 8" (20 cm)
Long shade: 3" Ø x 42" L
(8 Ø x 107 cm L)
Short shade: 3" Ø x 26.5" L
(8 Ø x 67 cm L)



**David
Weeks
Studio**

STUDIO
1818 Atlantic Ave.
Brooklyn, NY 11233
212 966 3433

sales@DavidWeeksStudio.com
www.DavidWeeksStudio.com