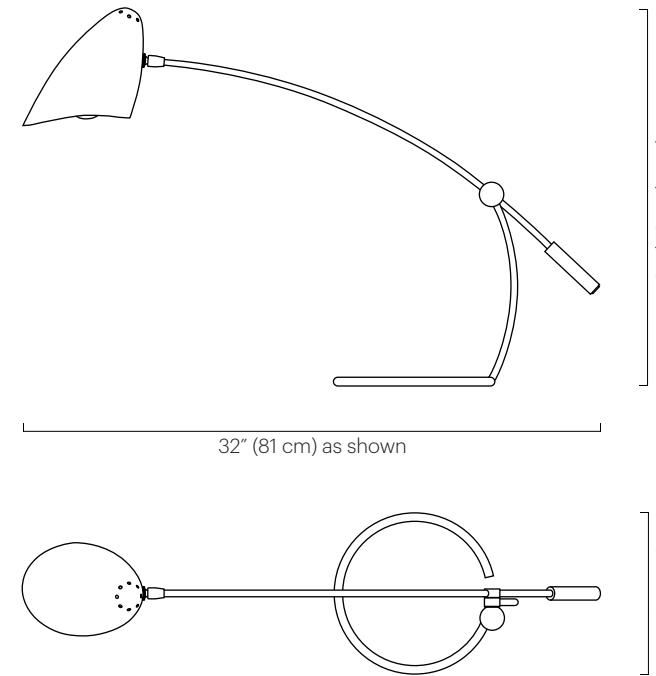


Bullet Table Lamp

TECHNICAL SPECIFICATIONS

No. 109



Description

The Bullet Desk Lamp features a counterweighted arm that adjusts up and down to desired height. The handspun aluminum shade rotates 320 degrees to cast light directionally. May be ordered with Bullet or Bottle shades.

Materials

Shade: Powder coated aluminum
 Frame: Plated steel
 Counterweight: Power coated steel

Shade Color Bullet

- Black Satin (ivory satin interior)
- Ivory Satin (ivory satin interior)
- White Satin (white satin interior)

Shade Color Bottle

- Black Satin (ivory satin interior)
- Grey Gloss (ivory satin interior)
- Ivory Satin (ivory satin interior)
- White Satin (white satin interior)

Custom colors available.

Finish

- Polished Nickel
- Brushed Brass
- Oil Rubbed Bronze

Custom finishes available.

Lamping

120V: A19 or A15 medium base 40W max
 220-240V: E27 base 40W max
 Note: Bulbs not included.
 Halogen bulbs not recommended.

Wattage

40 watts max

Weight

5 lbs (2.3 kg)

Remarks

UL listed.
 Bullet shade: On/Off switch located on cord.
 Bottle shade 120V: On/Off switch located on shade and cord.
 220-240V: On/Off switch located on cord.

Remarks Continued

Cord color is black; length approx. 7 feet.
 Counterweight and arm adjustment are always black.
 Indoor use and dry locations only.

Dimensions

Base: 9" Ø (23 cm)
 Height variable.
 Adjusts up to 36.5" H (93 cm)
 Bullet Shade: 9" H x 6" W x 6.5" D (23 H x 15 W x 17 cm D)
 Bottle Shade: 8.5" H x 5.5" W 8.5" D (22 H x 14 W x 22 cm D)

