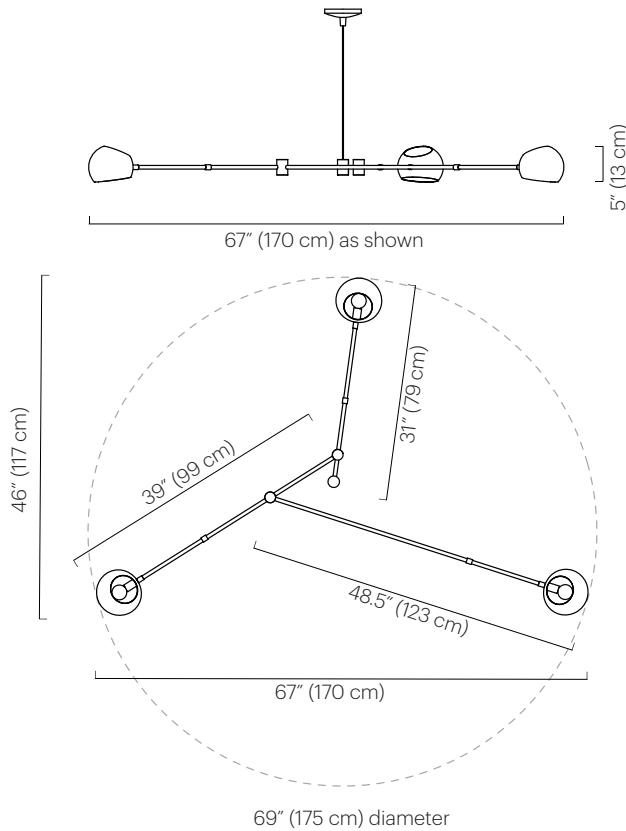


# Boi Pendant Trio

## TECHNICAL SPECIFICATIONS

No. 427



### Description

The Boi Pendant Trio is an asymmetrical, balanced fixture with a Boi shade extending from each of its three arms. Shades rotate 320° to cast light directionally.

### Materials

Shades: Powder coated steel  
 Frame: Powder coated steel  
 Ceiling mount: Powder coated steel  
 Drop: Stainless steel cable  
 Hardware: Plated steel and brass

### Mount, Frame & Shade Color

- Black Satin (ivory satin interior)
- Grey Gloss (grey gloss interior)
- Ivory Satin (ivory satin interior)
- White Satin (white satin interior)

Custom colors available.

### Hardware

- Polished Nickel
- Brushed Brass

Custom finishes available.

### Lamping

120V: (3)G16.5 globe bulb  
 candelabra base 60W max  
 220-240V: (3)E14 base golf ball  
 60W max  
 Note: Bulbs not included.  
 Halogen bulbs not recommended.

### Wattage

180 watts max

### Weight

10 lbs (4.5 kg)

### Remarks

Specify drop length.  
 Approx. 6" of extra cable and cord included.  
 Fixture size cannot be customized.  
 Arm positions are fixed.  
 Ceiling mount consistent with shade color.

### Remarks continued

White electrical cord is standard.  
 Hardware includes counterweights, swivels, and caps of hubs.  
 Additional weight support recommended for junction box installation.  
 Indoor use and dry locations only.

### Dimensions

Fixture diameter: 69" (175 cm)  
 Fixture height: 5" (13 cm)  
 Ceiling mount diameter: 5" (13 cm)  
 Arm lengths: 48.5" / 39" / 31"  
 (123 cm / 99 cm / 79 cm)  
 Minimum overall height: 7" (18 cm)  
 Shade: 6" Ø x 5.5" H  
 (15 Ø x 14 cm H)



**David Weeks Studio**

**STUDIO**  
 1818 Atlantic Ave.  
 Brooklyn, NY 11233  
 212 966 3433

sales@DavidWeeksStudio.com  
 www.DavidWeeksStudio.com