

Wood Sconce Cut

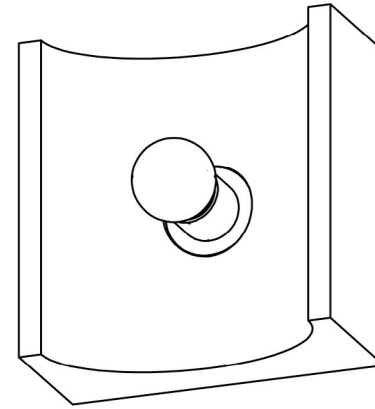
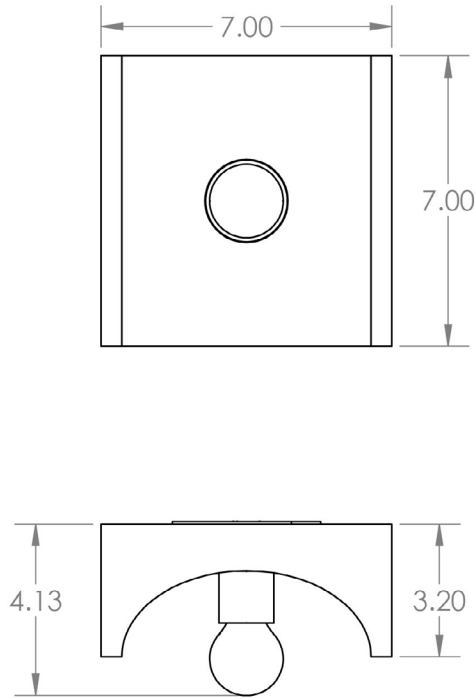
This minimalist wooden sconce is a tribute to BGW's love of skateboarding. These miniature halfpipes host a central light bulb, the sculptural semi-circular center holds the light and allows it to escape onto the wall.

Materials

Polished Steel or
Satin Brass
Oak or Walnut

Specs

1 E12 socket, max 60W
3W LED bulb included
Dimmable 120V, UL approved



Wood Sconce Full

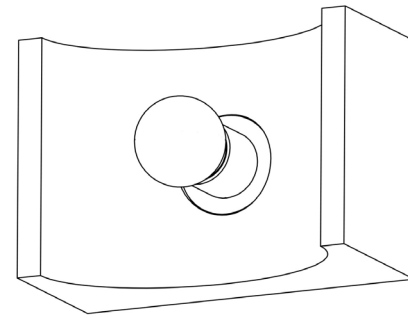
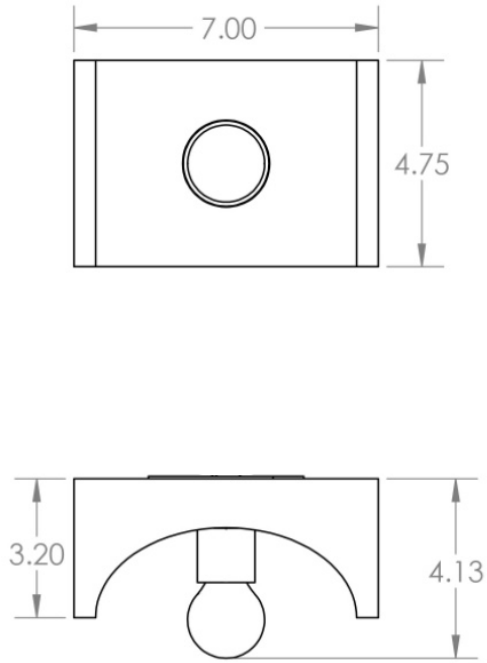
This minimalist wooden sconce is a tribute to BGW's love of skateboarding. These miniature halfpipes host a central light bulb, the sculptural semi-circular center holds the light and allows it to escape onto the wall.

Materials

Polished Steel or
Satin Brass
Oak or Walnut

Specs

1 E12 socket, max 60W
3W LED bulb included
Dimmable 120V, UL approved



Wood Sconce Half

This minimalist wooden sconce is a tribute to BGW's love of skateboarding. These miniature halfpipes host a central light bulb, the sculptural semi-circular center holds the light and allows it to escape onto the wall.

Materials

Polished Steel or
Satin Brass
Oak or Walnut

Specs

1 E12 socket, max 60W
3W LED bulb included
Dimmable 120V, UL approved