

BEN & AJA BLANC



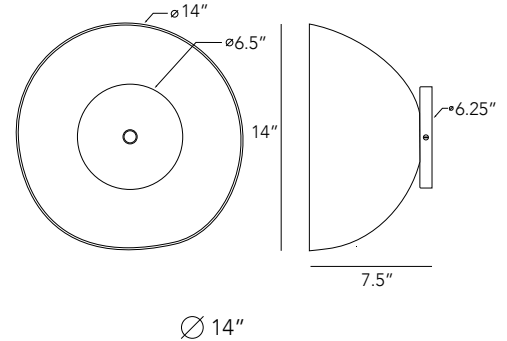
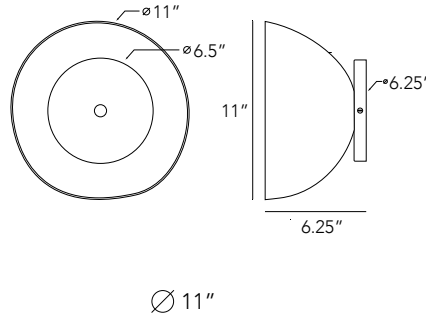
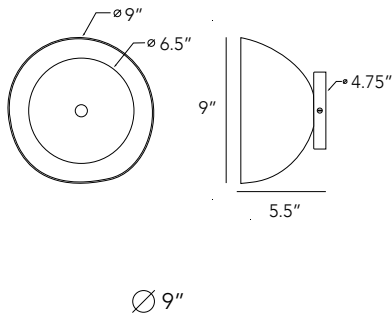
Willa Sconces

9L X 9W X 5.5D INCHES | 11L X 11W X 6.25D INCHES | 14L X 14W X 7.5D INCHES

EACH GLASS SCONCE IS UNIQUE AND SIZE WILL VARY SLIGHTLY
GLASS, BRASS, LIGHTING COMPONENTS | WEIGHT 5LBS | 4LBS | 3.5 LBS

customization available upon request

Willa Sconces



A modern glass diffuser is suspended within a naturally shaped, hand blown glass form. The relationship between these glass forms create unique flowing reflections as the light softly wraps and twists to provide distinct dimmable illumination. The light is illuminated by a 120V AC direct drive LED module with no external driver needed. The light can be wired to a dimmer switch, providing smooth full range dimming and is compatible with most Triac and ELV dimmers. The sconce is UL certified.

DIMENSIONS

9L X 9W X 5.5D INCHES

11L X 11W X 6.25D INCHES

14L X 14W X 7.5D INCHES

PRICE

9" - \$1,800 11" - \$2,100 14" - \$2,900

METAL FINISH OPTIONS



MATT
BLACK



BRUSHED
NICKLE



BRUSHED
BRASS



UNLACQUERED
BRASS



BLACKENED +\$300
BRASS

BEN & AJA BLANC

COLOR TEMPERATURE OPTIONS

Natural White 4000K

Dim To Warm White 2700K - 1800K

LED ILLUMINATION

Voltage: 120V

Dimmable: Yes

Wattage: 11.5W (40W incandescent equivalent)

Lumens: 450 | 90 CRI

Hours: 50,000+ estimated

Driver: On Board

Title 24: Compliant

DIMMER COMPATIBILITY

TRIAC & ELV dimmers

(email hello@benandajablanc.com for a compatibility reference sheet)

INSTALLATION

- Wall or ceiling flush mount
- Suitable for damp locations
- Mounts to standard 4in electrical box



CUSTOMIZATION

Custom metal and glass finishes available; price upon request.

TO PLACE AN ORDER

All pieces are made to order.

For standard orders, please submit a

P.O. to hello@benandajablanc.com

For custom orders please request a formal quote prior to submitting a P.O.

INVOICING TERMS

Due to the bespoke, handmade nature of our work, production begins with the receipt of payment.

RUSH ORDERS

Please email hello@benandajablanc.com to inquire about availability.

MADE IN THE USA