

BEN & AJA BLANC

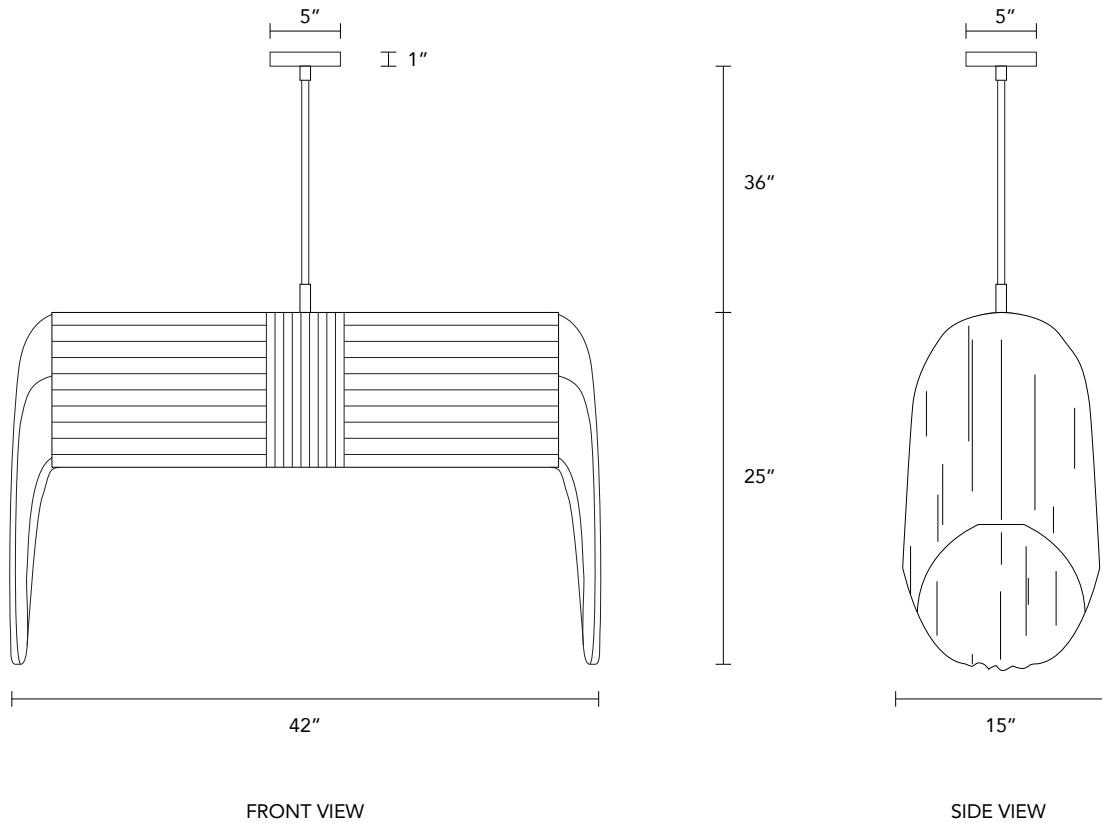


## Notos Light No. 2

42L X 15W X 25H INCHES (+STEM DROP)  
BLACK & BLONDE HORSEHAIR, BLACKENED BRASS, LIGHTING COMPONENTS | WEIGHT 15LBS

customization available upon request

# Notos Light No. 2



A modern hand woven horsehair shade provides distinct overhead illumination.

The Notos pendant light is available in three horse hair colors which are illuminated by 2 beautiful dim to warm LED bulbs. The light provides a unique overhead soft atmospheric light quality with the benefit of smooth full range dimming.

## DIMENSIONS

42L x 15W x 25H inches (+stem drop)

## BASE PRICE

\$14,200

## METAL FINISH OPTIONS



BLACK STEEL



BRUSHED NICKLE



BRUSHED BRASS



BLACKENED BRASS

+\$400

## HORSEHAIR SOLID & STRIPED OPTIONS



BLONDE HORSEHAIR



BLACK HORSEHAIR



SALT & PEPPER HORSEHAIR

## DROP LENGTH

36in - stem can be cut shorter on site

\*72in max drop available upon request

## WEIGHT

15 lbs

## ILLUMINATION

110-120V

## SOCKET STYLE

Base E26

## BULB TYPE INCLUDED

(2) Tala Sphere III LED Light Bulbs

- 7W - (48W replacement)
- CRI 95
- 600 Lumens per bulb
- Matte-white finish
- Dim to Warm 2000-2800K
- Hours 15,000 hrs

## BULB WATTAGE

Not to exceed 60W

## DIMMER COMPATIBILITY

ELV & MLV - See Dimmer Compatabilbity

Sheet for best dimming results

## CUSTOMIZATION

Custom metal and horsehair finishes available; price upon request.

## TO PLACE AN ORDER

All pieces are made to order.

For standard orders, please submit a P.O. to [hello@benandajablanc.com](mailto:hello@benandajablanc.com).

For custom orders please request a formal quote prior to submitting a P.O.

## INVOICING TERMS

Due to the bespoke, handmade nature of our work, production begins with the receipt of payment.

## RUSH ORDERS

Please email [hello@benandajablanc.com](mailto:hello@benandajablanc.com) to inquire about availability.

## MADE IN THE USA