

BEN & AJA BLANC

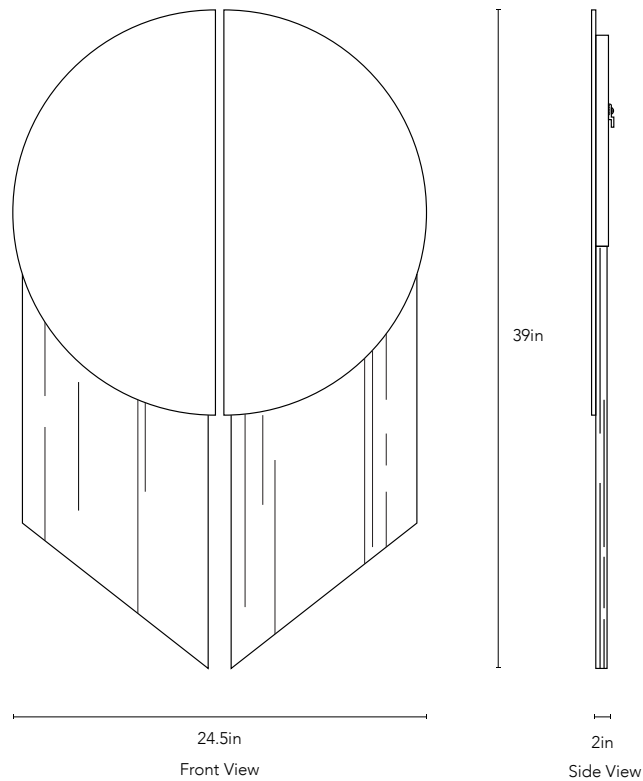


Apollo Mirror

39L X 24.5W X 2D INCHES | MIRRORED GLASS, SILK, MOHAIR, WOOL, BRASS | WEIGHT 14LBS

customization available upon request

Apollo Mirror



Named for the Greek God of the Sun, the Apollo Mirror is the marriage of sculptural and functional object. Two half circle mirrors are joined by negative space and partnered with hand-spun, hand-painted silk fiber.

MATERIALS

Mirrored Glass, Silk, Mohair, Wool, Brass

DIMENSIONS

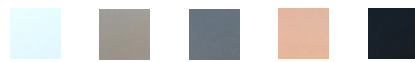
39L x 24.5W x 2D inches

WEIGHT

14 lbs

BASE PRICE \$2100

MIRROR SPECIFICATION



standard



color and antique mirror +\$1300

FIBER



CUSTOMIZATION

Custom sizing available, price upon request

TO PLACE AN ORDER

All pieces are made to order. For standard orders, please submit a P.O. to hello@benandajablanc.com. For custom orders please request a formal quote prior to submitting a P.O.

INVOICING TERMS

Due to the bespoke, handmade nature of our work, production begins with the receipt of payment.

RUSH ORDERS

Please email hello@benandajablanc.com to inquire about availability.

MADE IN THE USA