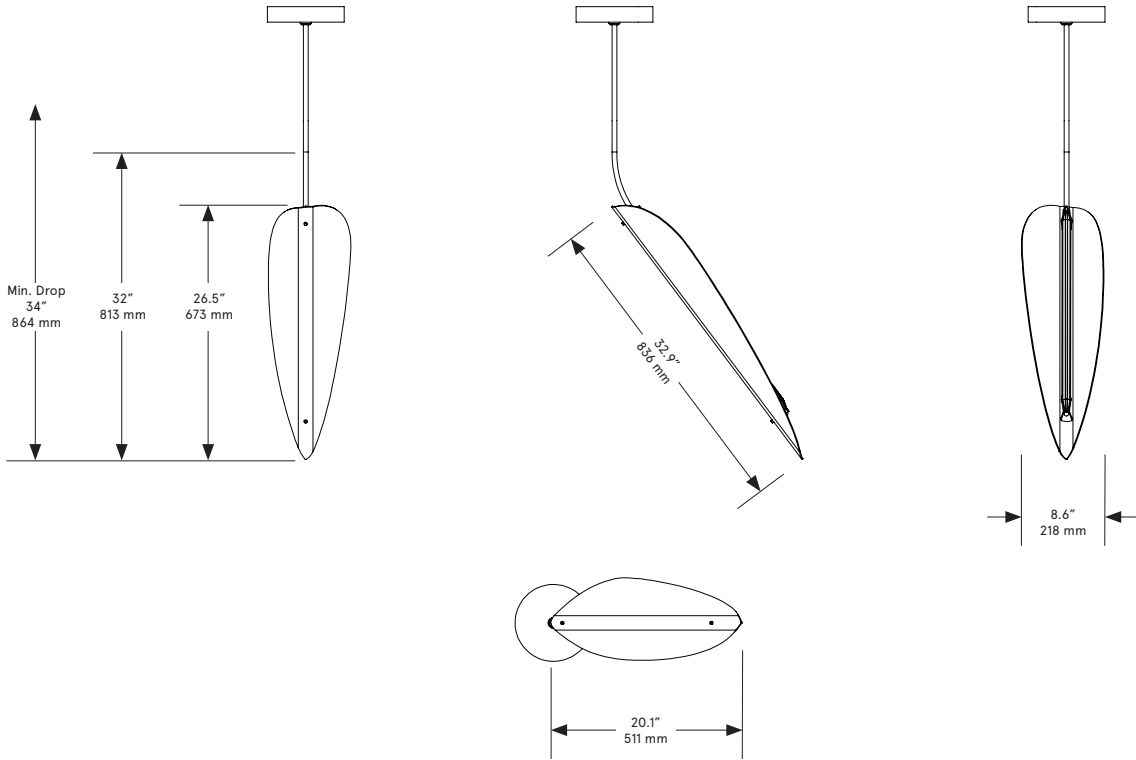


BEC BRITAIN



Unfurl Pendant 2

Lead Time

14 - 16 weeks

Dimensions

20.1 inch x 8.6 inch x 32 inch H
511 mm x 218 mm x 813 mm H

Weight

6 lb / 2.7 kg

LED Illumination

24 VDC T5 LED tube
2700 Kelvin
90 CRI

Electrical

Wattage: 6 Watt
Lumens: 480 Lumens
110 - 240 VAC
277 VAC upon request

Installation - Standard

Locally mounted driver
120V Dimming: C-L (Lutron) switching
240V Dimming: 0-10V wireless (Lutron Pico)
Canopy: 8 x 1.625 inch (203 x 41 mm) round
in matching metal finish

Installation - Alternate

Remotely mounted driver
120V Dimming: C-L (Lutron) switching
240V Dimming: 0-10V hardwired
Canopy: 5 x 0.75 inch (127 x 19 mm) round
in matching metal finish

Please inquire for detailed electrical specs

Suspension

1/8 IP all-thread stem clad in brass tubing
with matching metal finish up to 35 inch /
890 mm length included with fixture.
Length up to 95 inches / 2415 mm available
for additional cost.

Materials

Finished Brass
Glass

Standard Finishes

Brushed Brass
Oil-Rubbed Bronze
Satin Nickel
Nickel Brass Contrast

Special Order Finishes

Polished Brass
Medium Antique Brass
Polished Nickel
Dark Pewter
Polished Black Nickel
Polished Copper
Smoky Copper

Glass Finishes

White wispy glass, Iridescent
wispy glass