

Materials Aluminum with satin brass screws

Dimensions 31 1/2 in (80 cm) W x 31 1/2 in (80 cm) D x 17 1/2 in (44.5 cm) H

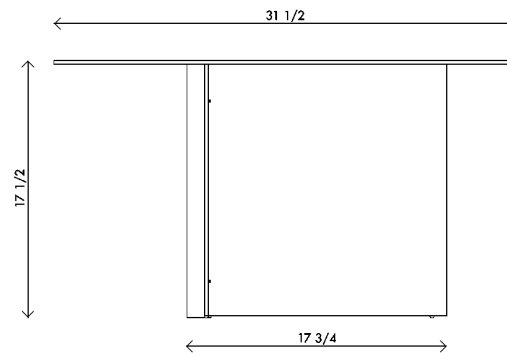
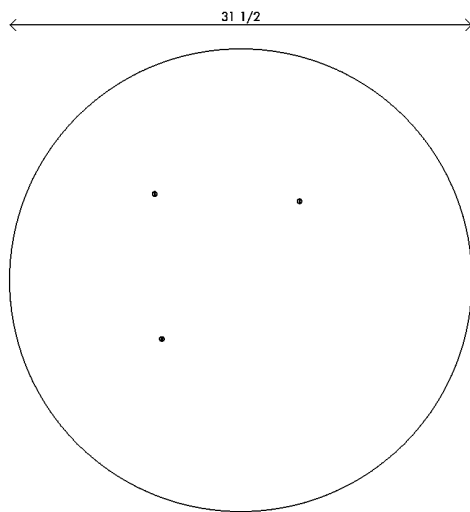
Weight 24 lbs (10.9 kg)

Packing White glove delivery
30 lbs (13.6 kg)

Finishes Satin brass
 Matte aluminum
 Matte black



Handmade in Los Angeles



Materials Aluminum with satin brass screws

Dimensions 36 in (91.5 cm) W x 36 in (91.5 cm) D x 14 in (35.5 cm) H

Weight 30 lbs (13.6 kg)

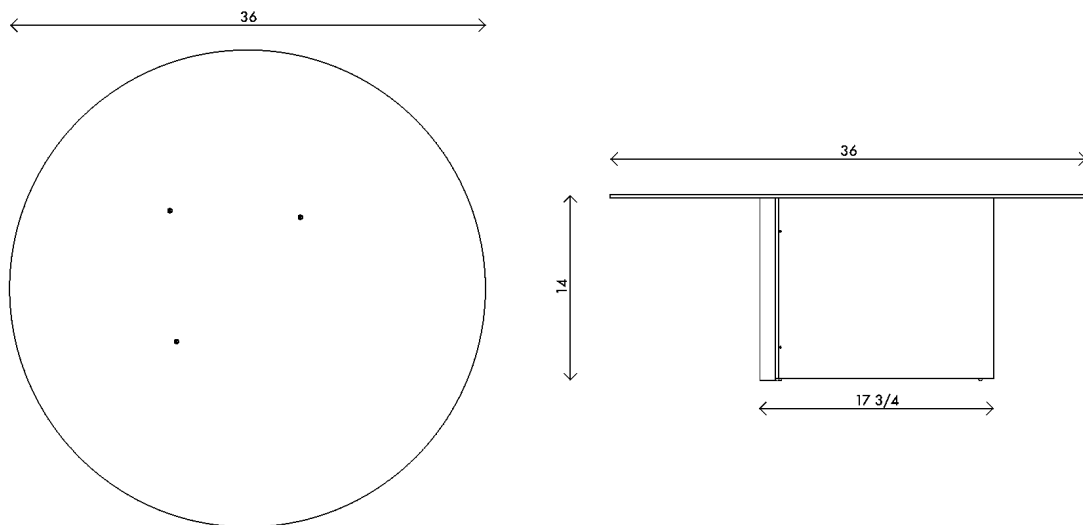
Packing White glove delivery
34 lbs (15.4 kg)

Finishes

- Satin brass
- Matte aluminum
- Matte black



Handmade in Los Angeles

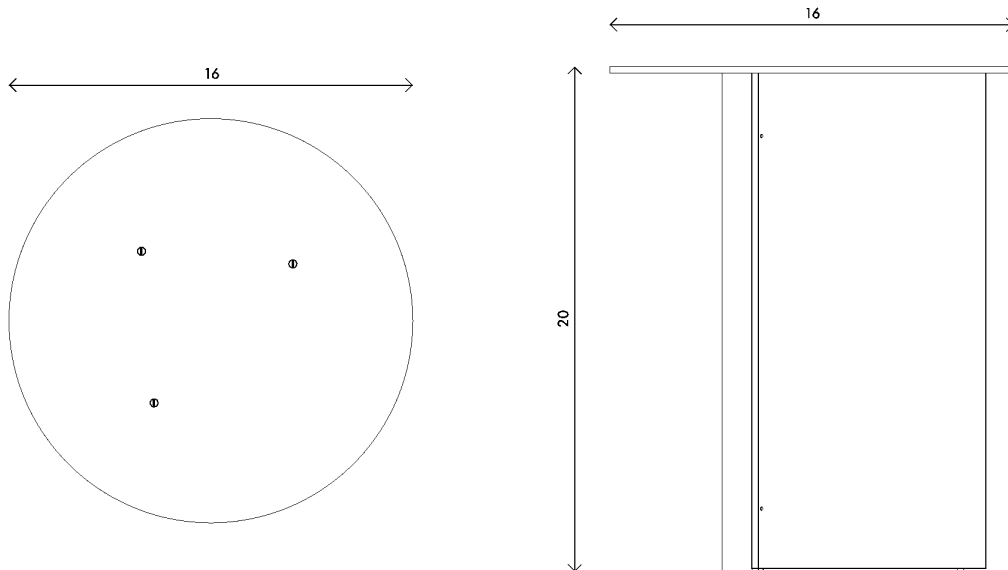


Materials	Aluminum with satin brass screws
Dimensions	16 in (40.5 cm) W x 16 in (40.5 cm) D x 20 in (51 cm) H
Weight	12 lbs (5.4 kg)
Packing	18 in (45.7 cm) W x 18 in (45.7 cm) D x 24 in (61 cm) H 16 lbs (7.2 kg)

Finishes	<ul style="list-style-type: none"> Satin brass Matte aluminum Matte black Burnished copper Polished brass
----------	--



Handmade in Los Angeles



Materials	Aluminum with satin brass screws
Dimensions	16 in (40.5 cm) W x 16 in (40.5 cm) D x 14 in (35.5 cm) H
Weight	6 lbs (2.7 kg)
Packing	18 in (45.7 cm) W x 18 in (45.7 cm) D x 24 in (61 cm) H 10 lbs (4.5 kg)

Finishes	<ul style="list-style-type: none"> Satin brass Matte aluminum Matte black Burnished copper Polished brass
----------	--



Handmade in Los Angeles

