

Materials Solid wood  
Fabric COM

Dimensions 34 in (86.5 cm) W x 34 3/4 in (88.5 cm) D x 28 1/2 in (72.5 cm) H

Weight 110 lbs (49.9 kg)

Packing White glove delivery  
114 lbs (51.7 kg)

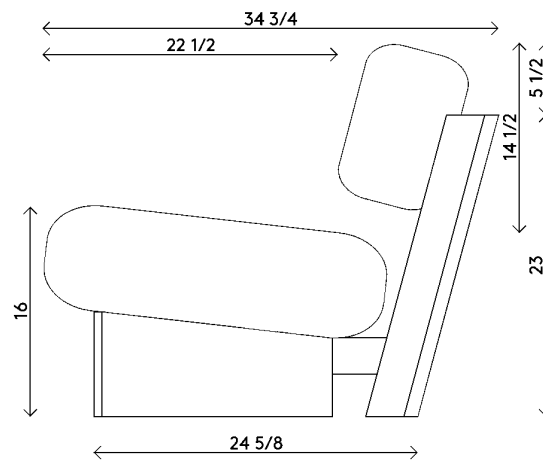
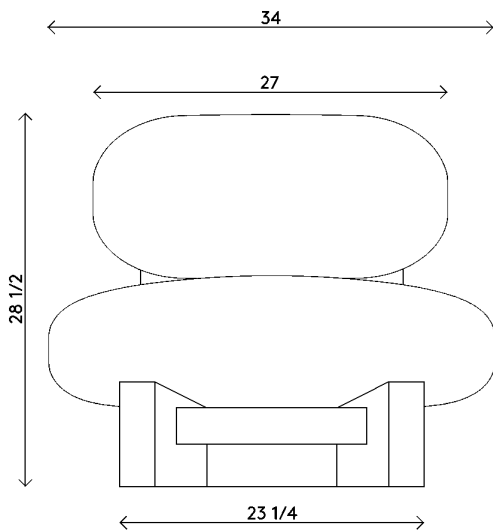
Upholstery requirements  
Solid : 4 yards  
Patterned : 5 yards  
6 in x 6 in fabric swatch required for approval

Finishes

- Natural oak
- Fumed oak
- Oxidized oak
- Walnut



Handmade in Los Angeles



Materials Solid wood  
Fabric COM

Dimensions 34 in (86.5 cm) W x 26 in (66 cm) D x 16 in (41 cm) H

Weight 50 lbs (22.7 kg)

Packing White glove delivery  
54 lbs (24.5 kg)

Upholstery requirements  
Solid : 2 yards  
Patterned : 3 yards  
6 in x 6 in fabric swatch required for approval

Finishes

- Natural oak
- Fumed oak
- Oxidized oak
- Walnut



Handmade in Los Angeles

