

Materials Brass  
Handblown glass

Dimensions W 7 3/4in (19.5cm) x D 5 1/2in (14cm) x H 7 3/4in (19.5cm)

Weight 6lbs (2.7kg)

Packing W 10in (25.5cm) x D 10in (25.5cm) x H 8in (20.5cm)  
10lbs (4.5kg)

Backplate W 5in (13cm) x D 1 1/2in (1.5cm) x H 5in (13cm)  
J-box location indicated at center

Lamping 1 x E12 socket  
G16.5 LED bulbs (provided)  
4W 2700K  
350 lm

Finishes

Frame

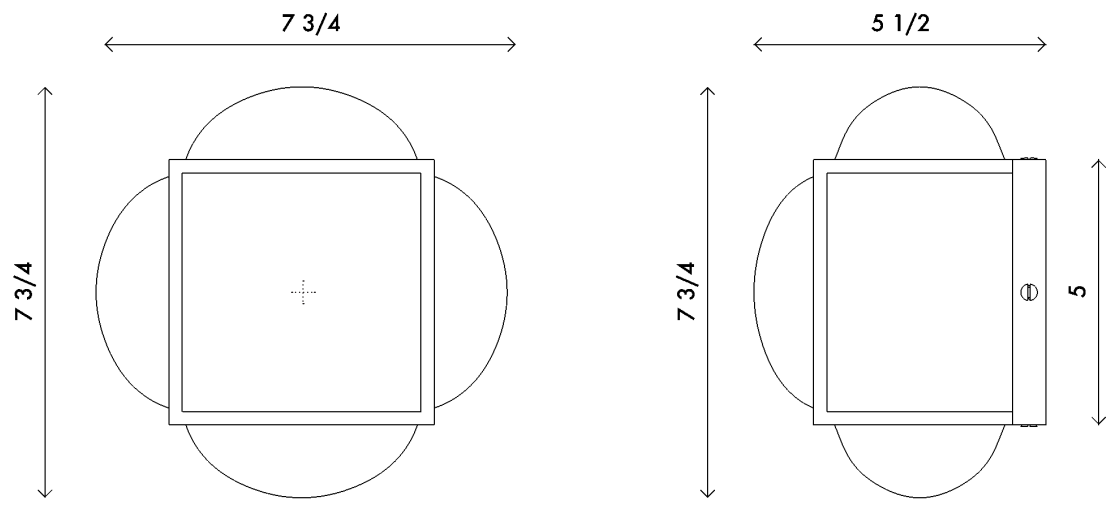
- Satin brass
- Blackened brass

Glass

- Clear grey
- Opal white



Handmade in Los Angeles



Bulb life 15,000 hrs

Dimming 10-100%. Wattage +/- 10%  
Lumen Values +/- 5Lms  
CRI +/- 5%  
Fully tested with LUTRON® DVCL, DVEL

Voltage 120 V / 240

Certification UL, CE listed  
Damp rated

Handmade in Los Angeles  
Hardwired

**Materials** Brass  
Handblown glass

**Dimensions** W 10 1/4in (26 cm) x D 6 1/2in (16.5cm) x H 10 1/4in (26cm)

**Weight** 12lbs (5.5kg)

**Packing** W 14in (35.5cm) x D 14in (35.5cm) x H 10in (25.5cm)  
16lbs (7.2kg)

**Backplate** W 8in (20.5cm) x D 1in (2.5cm) x H 8in (20.5cm)  
J-box location indicated at center

**Lamping** 1 x E26 socket  
G16.5 LED bulbs (provided)  
4W 2700K  
350 lm

**Finishes**

**Frame**

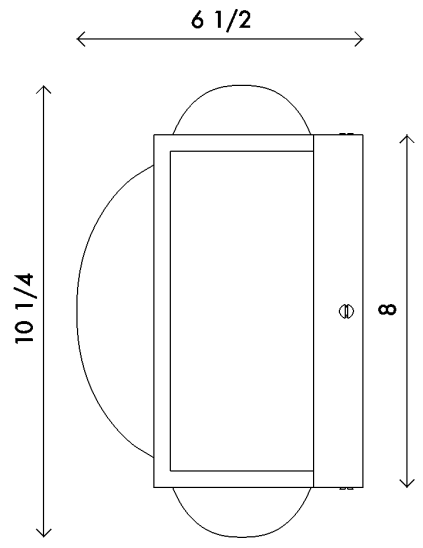
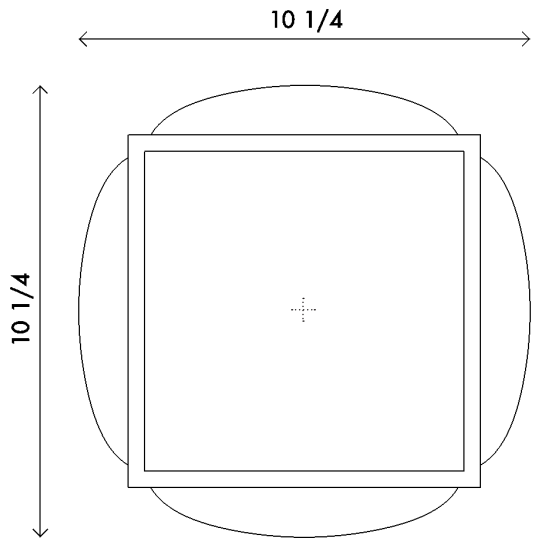
- Satin brass
- Blackened brass

**Glass**

- Clear grey
- Opal white



Handmade in Los Angeles



**Bulb life** 15,000 hrs

**Dimming** 10-100%. Wattage +/- 10%  
Lumen Values +/- 5Lms  
CRI +/- 5%  
Fully tested with LUTRON® DVCL, DVEL

**Voltage** 120 V / 240

**Certification** UL, CE listed  
Damp rated

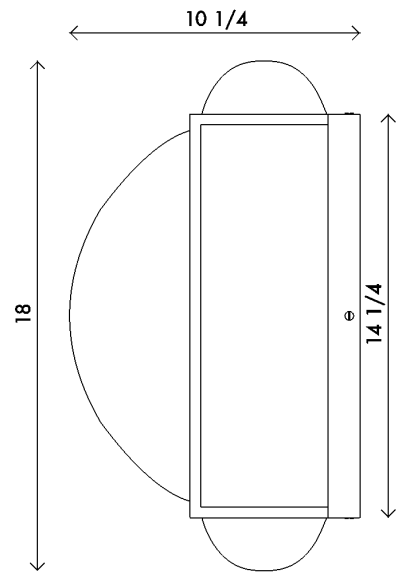
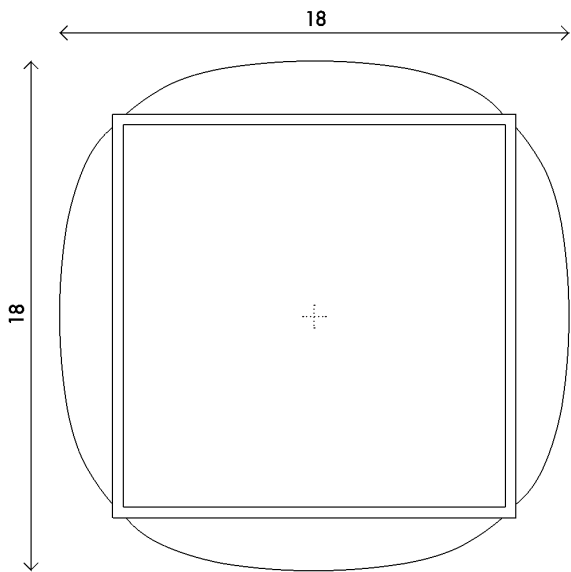
Handmade in Los Angeles  
Hardwired

Materials	Brass Handblown glass
Dimensions	W 18in (46cm) x D 10 1/4in (26cm) x H 18in (46cm)
Weight	20lbs (9kg)
Packing	W 20in (51cm) x D 20in (51cm) x H 14in (35.5cm) 24lbs (10.8kg)
Backplate	W 14 1/4in (36cm) x D 1in (2.5cm) x H 14 1/4in (36cm) J-box location indicated at center
Lamping	3 x E26 socket G16.5 LED bulbs (provided) 4W 2700K 350 lm

Finishes	Frame
	Satin brass
	Blackened brass
	Glass
	Clear grey
	Opal white



Handmade in Los Angeles



Bulb life	15,000 hrs
Dimming	10-100%. Wattage +/- 10% Lumen Values +/- 5Lms CRI +/- 5% Fully tested with LUTRON® DVCL, DVEL
Voltage	120 V / 240
Certification	UL, CE listed Damp rated
	Handmade in Los Angeles Hardwired