

A P P A R A T U S



LARGE, TARNISHED SILVER / SMOKED GLASS

SIGNAL X : PENDANT

REFERENCE	SATELLITE COMMUNICATION FRESNEL LENS ERWIN BLUMENFELD - PORTRAITS THROUGH GLASS
COMPOSITION	PRESSED GLASS BRASS ARMATURE

A P P A R A T U S



SMALL, AGED BRASS / CLEAR GLASS

A P P A R A T U S



SMALL, AGED BRASS / CLEAR GLASS



SMALL, AGED BRASS / SMOKED GLASS

A P P A R A T U S



AGED BRASS



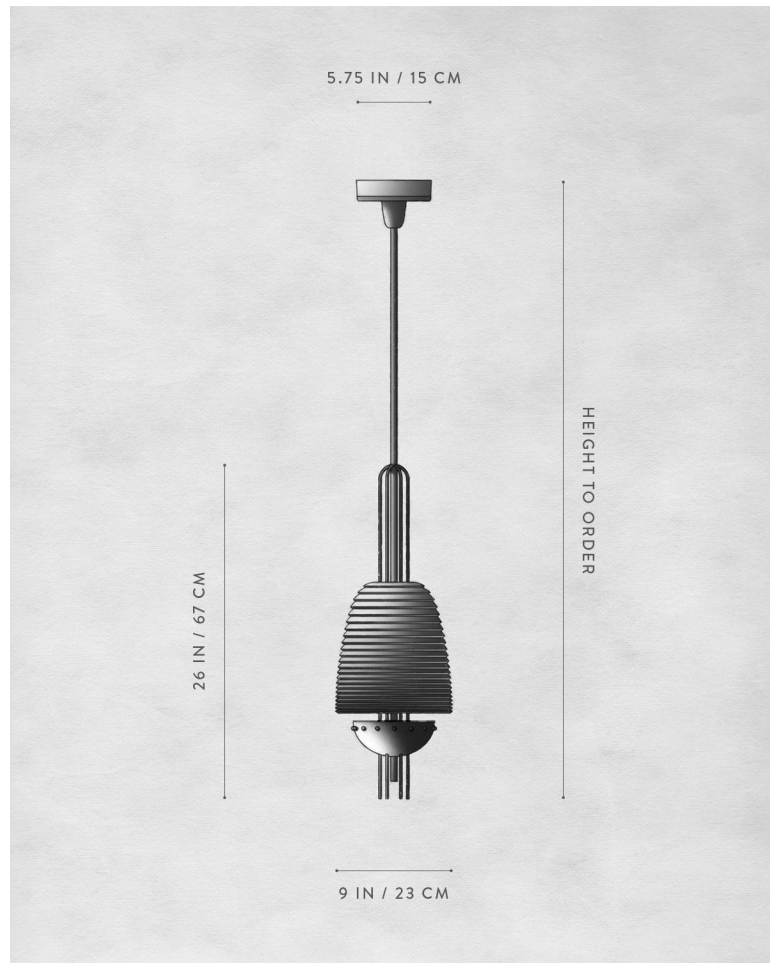
LARGE, BLACKENED BRASS / CLEAR GLASS

A P P A R A T U S



LARGE, TARNISHED SILVER / CLEAR GLASS

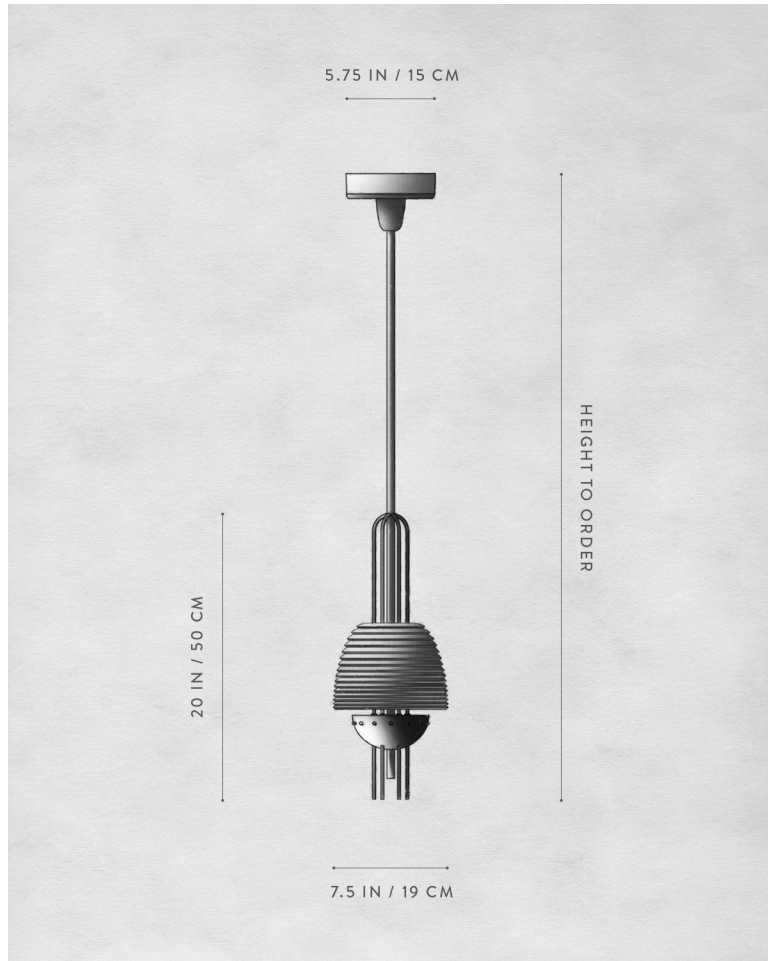
A P P A R A T U S



SIGNAL X : PENDANT LARGE

DIMENSIONS	Ø 9 IN Ø 23 CM HEIGHT TO ORDER APPROX. 18 LBS / 8 KG
WEIGHT	
PRICE	FROM \$7700
MINIMUM HEIGHT INCLUDES	36 IN UP TO 85 IN
VOLTAGE	120-240 ETL / CB / CE / UKCA
LAMPING	8W DIMMABLE LED 1800K-3000K WARM DIM 660 LUMENS DIMMING 120V : TRIAC AND ELV(0-10V) DIMMING 240V : ELV(0-10)
DRIVER LIFE	50,000 HOURS
DEPOSIT	50% UPON ORDER
BALANCE	DUE PRIOR TO SHIPPING
LEAD TIME	PLEASE REFER TO WEBSITE
	FINISHED AND ASSEMBLED BY HAND IN NY DOMESTIC AND IMPORTED COMPONENTS

A P P A R A T U S



SIGNAL X : PENDANT SMALL

DIMENSIONS	Ø 7.5 IN Ø 19 CM HEIGHT TO ORDER APPROX. 12 LBS / 5 KG
WEIGHT	
PRICE	FROM \$6200
MINIMUM HEIGHT INCLUDES	28 IN UP TO 85 IN
VOLTAGE	120-240 ETL / CB / CE / UKCA
LAMPING	8W DIMMABLE LED 1800K-3000K WARM DIM 660 LUMENS DIMMING 120V : TRIAC AND ELV(0-10V) DIMMING 240V : ELV(0-10)
DRIVER LIFE	50,000 HOURS
DEPOSIT	50% UPON ORDER
BALANCE	DUE PRIOR TO SHIPPING
LEAD TIME	PLEASE REFER TO WEBSITE
	FINISHED AND ASSEMBLED BY HAND IN NY DOMESTIC AND IMPORTED COMPONENTS

A P P A R A T U S



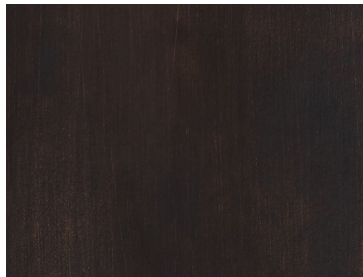
GLASS : CLEAR



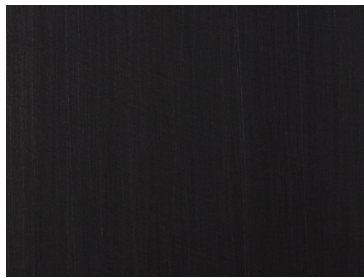
GLASS : SMOKED



AGED BRASS



OIL-RUBBED BRONZE



BLACKENED BRASS



TARNISHED SILVER

SIGNAL X : PENDANT

GLASS

CLEAR
SMOKED

METAL

AGED BRASS [WAXED]
OIL-RUBBED BRONZE [WAXED]
BLACKENED BRASS [WAXED]
TARNISHED SILVER [LACQUERED] ADD 35%