

A P P A R A T U S



TARNISHED SILVER

CYLINDER : UPLIGHT

REFERENCE

PROPORTION VERSUS UTILITY
WALTER DE MARIA

COMPOSITION

FUNCTIONAL, DIRECTIONAL LIGHTING
MECHANICAL JOINT
PRIMARY OR SECONDARY LIGHT SOURCE

A P P A R A T U S

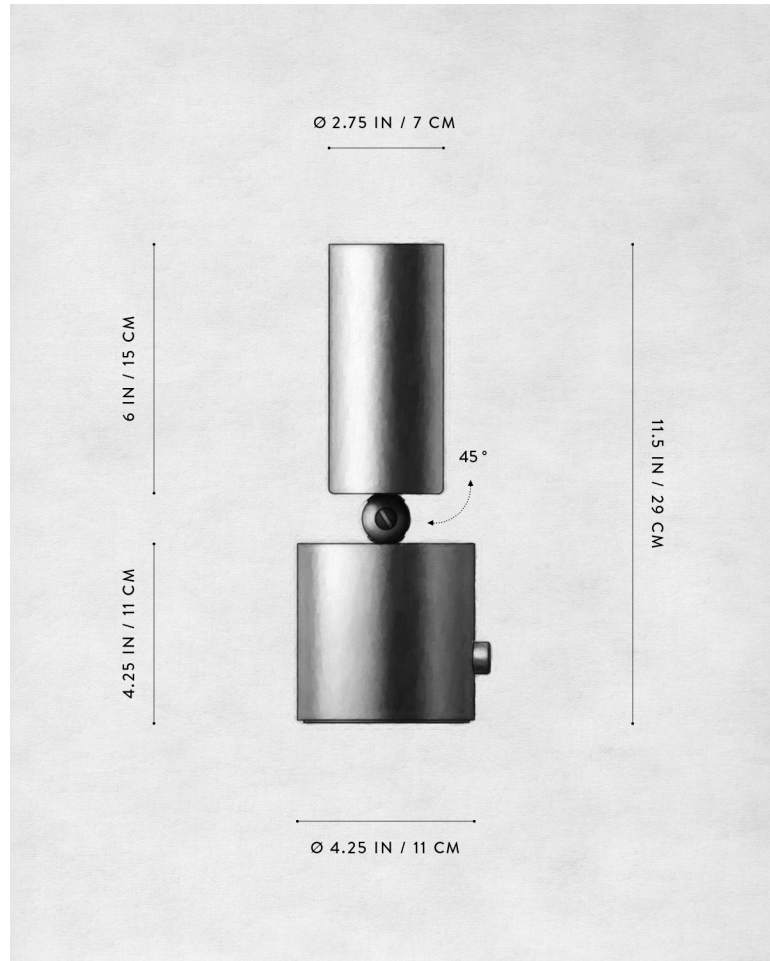


AGED BRASS



TARNISHED SILVER

A P P A R A T U S



DIMENSIONS

CYLINDER : UPLIGHT

11.5 H, $\text{Ø } 4.25 \text{ IN}$
29 H, $\text{Ø } 11 \text{ CM}$

PRICE

FROM \$1900

VOLTAGE

120-240
UL / CE

LAMPING

MAX 25W

BULB INCLUDED

DIMMABLE LED BULB
2200K-2700K WARM DIM
500 LUMENS
120V : PAR20 BULB, 5.5W
240V : PAR20 BULB, 7W
30,000 HOURS

BULB LIFE

DEPOSIT
BALANCE
LEAD TIME

50% UPON ORDER
PRIOR TO SHIPPING
PLEASE REFER TO WEBSITE

FINISHED AND ASSEMBLED BY HAND IN NY
DOMESTIC AND IMPORTED COMPONENTS

A P P A R A T U S



AGED BRASS



OIL-RUBBED BRONZE



BLACKENED BRASS



TARNISHED SILVER

METAL

CYLINDER : UPLIGHT

AGED BRASS [WAXED]

OIL-RUBBED BRONZE [WAXED]

BLACKENED BRASS [WAXED]

TARNISHED SILVER [LACQUERED] ADD 35%