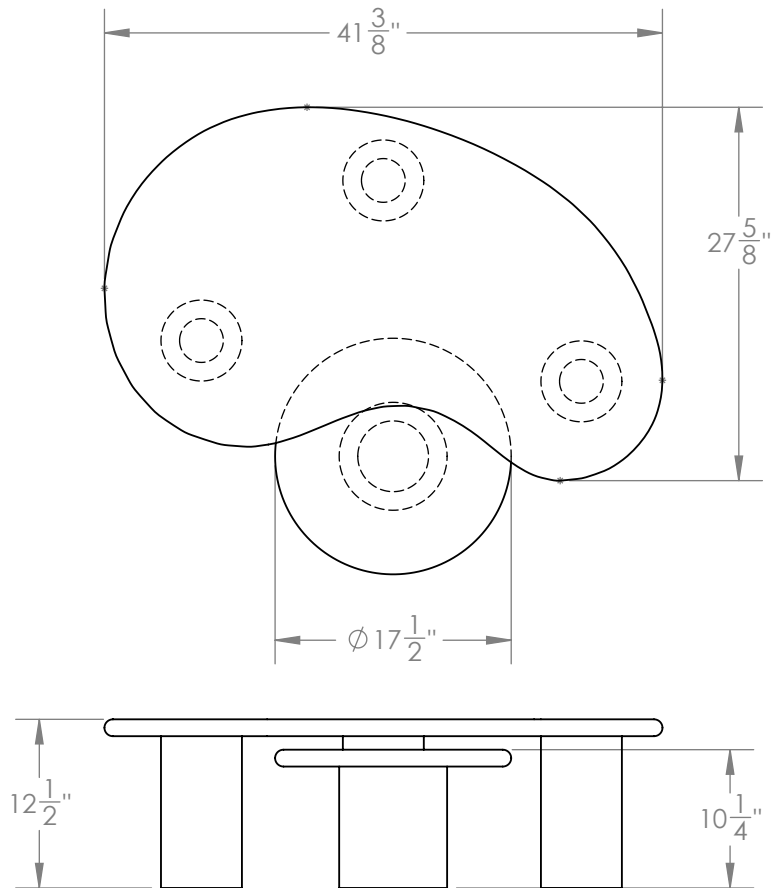


PUDDLE - TRAVERTINE



Made from carved Travertine, these tables nest perfectly and can be moved individually to suit the space.



Materials
Travertine

Standard Finishes
Unfilled, Honed

Dimensions

Table 1: 41-³/₈" W x 12-¹/₂" H x 27-⁵/₈" D
Table 2: 17-¹/₂" W x 10-¹/₄" H x 17-¹/₂" D

Notes

Travertine is a natural material and therefore variations in tone and striation are to be expected.

Retail
\$14,750

Lead Time
8-10 Weeks

Customization Available - please contact us. **Weight** ~150 lbs (large)
~50 lbs (small)