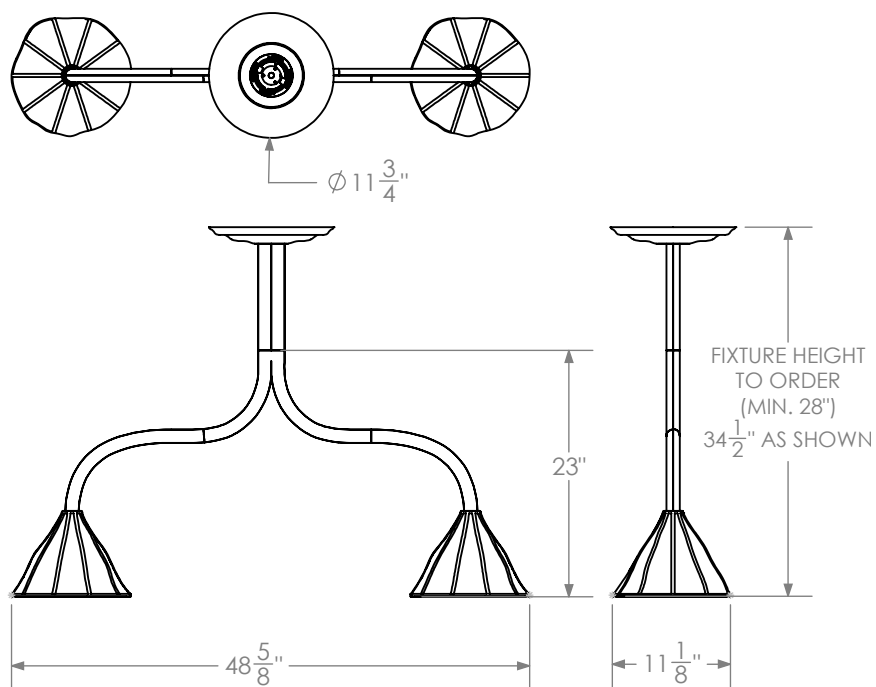


# MULBERRY CONE PENDANT - DUO



Sinuous curves of carved hardwood terminate in hand-upholstered conical silk shades, with a classically inspired wood ceiling rose. Inside each shade, a hand blown white glass teardrop houses the light source.



## Materials

Wood  
Aluminum  
Steel  
Silk  
Glass

## Standard Finishes

White Oak or Black Walnut  
Cream Silk  
Cream or White Lining  
White Glossy Glass

## Dimensions

48-<sup>5</sup>/<sub>8</sub>" W x 11-<sup>1</sup>/<sub>8</sub>" D x 23" H  
Overall height to order - minimum 28"

## Notes

Lamping: 2 dimmable hardwired LED modules. Each 18V, 6.3W, 748 lumens, 2700K color temperature.  
120V/240VAC compatible transformer included, housed in canopy.  
We offer two different lampshade linings, a cream option which gives it a warmer glow, or white option which gives it a white glow. The cream silk is the same for either option.

## Retail

\$14,000

## Lead Time

14-16 weeks

**Customization** Available - please contact us. **Weight** ~15 lbs