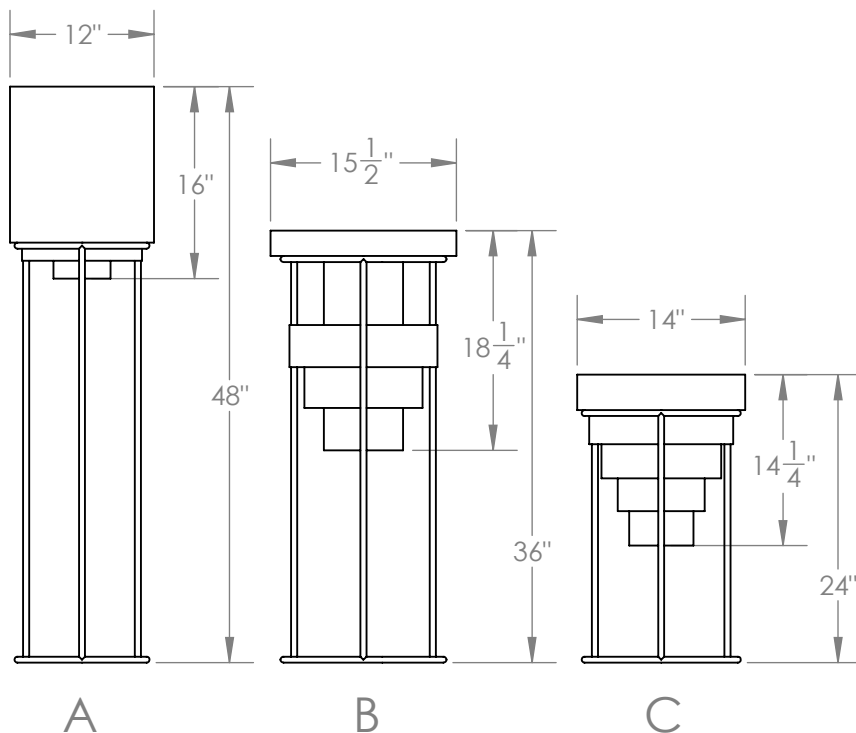


# LAYERED PLANTERS



These geometric, elevated planters are available in three different configurations.



## Materials

Stainless Steel

## Standard Finishes

Satin Black

## Dimensions

- A: 12" W x 16" H (48" overall H)
- B: 15-1/2" W x 18-1/4" H (36" overall H)
- C: 14" W x 14-1/4" H (24" overall H)

## Notes

Fill base with rocks to allow for proper draining. Stand height can be customized as necessary.

## Retail

\$7,250

## Lead Time

8-10 Weeks

**Customization** Available - please contact us. **Weight** ~20-30 lbs