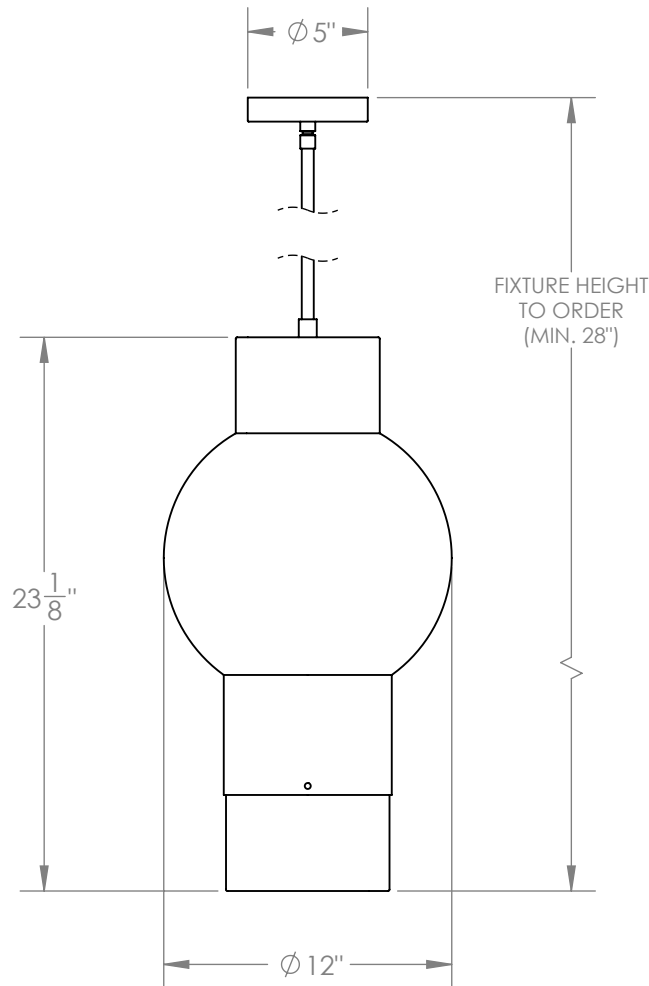


# LANTERN PENDANT - LARGE



The Large Lantern Pendant presents a finely balanced form with a hand-finished antique brass patina accompanied by a frosted glass diffuser. The piece provides a warm glow and a unique moment of interest wherever it is placed.

### Materials

Brass  
Steel  
Glass

### Standard Finishes

Antique Brass  
White Frosted Glass

### Dimensions

12" W x 21- $\frac{1}{8}$ " H x 12" D  
Overall height to order - minimum 28"

### Notes

Lamping: 3 E26 bulbs, max 75W. 5.5W dimmable LED bulb included.  
465 lumens, 2700K color temperature.  
120V, UL approved. (240V available)

### Retail

\$7,500

### Lead Time

8-10 Weeks

**Customization** Available - please contact us. **Weight** ~15 lbs