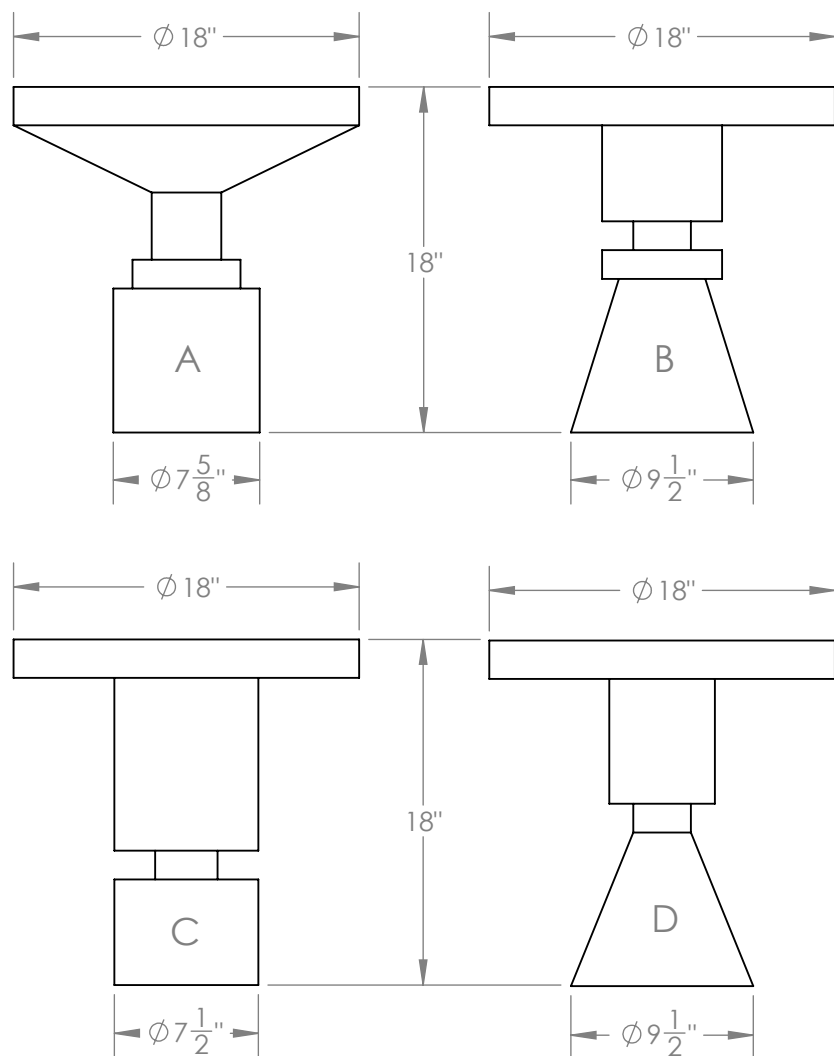


# CHESS PIECE SIDE TABLES



Like chess pieces dotted across a board, these sculptures are placed throughout a room. They are made to work in series or alone. Each piece is made from cold rolled steel, then brass plated and finished with a hand rubbed patina.

### Materials

Steel

### Standard Finishes

Antique Brass

### Dimensions

18" W x 18" H x 18" D

### Notes

When ordering, please specify shape A, B, C, or D.

### Retail

\$6,250

### Lead Time

8-10 Weeks

**Customization** Available - please contact us. **Weight** ~20 lbs